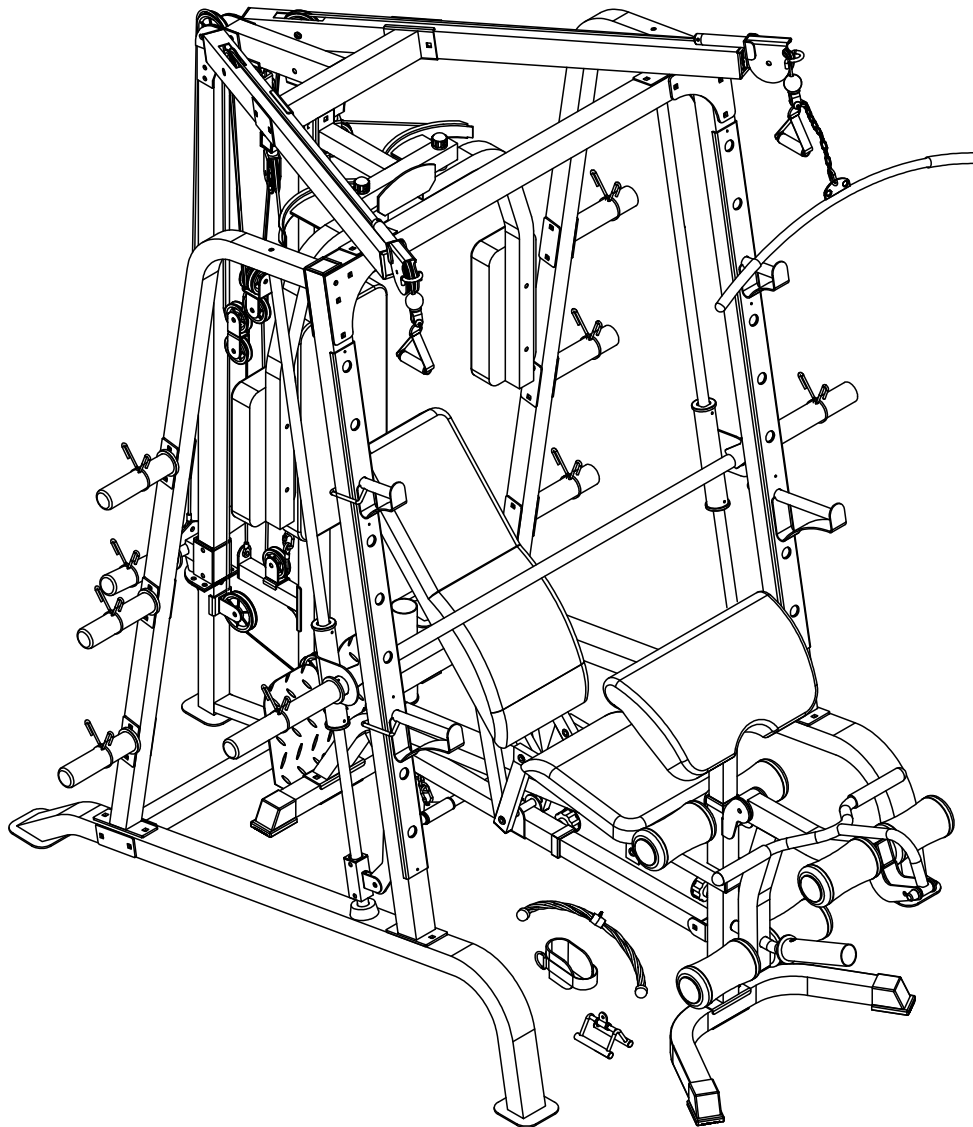




# MARCY<sup>®</sup>

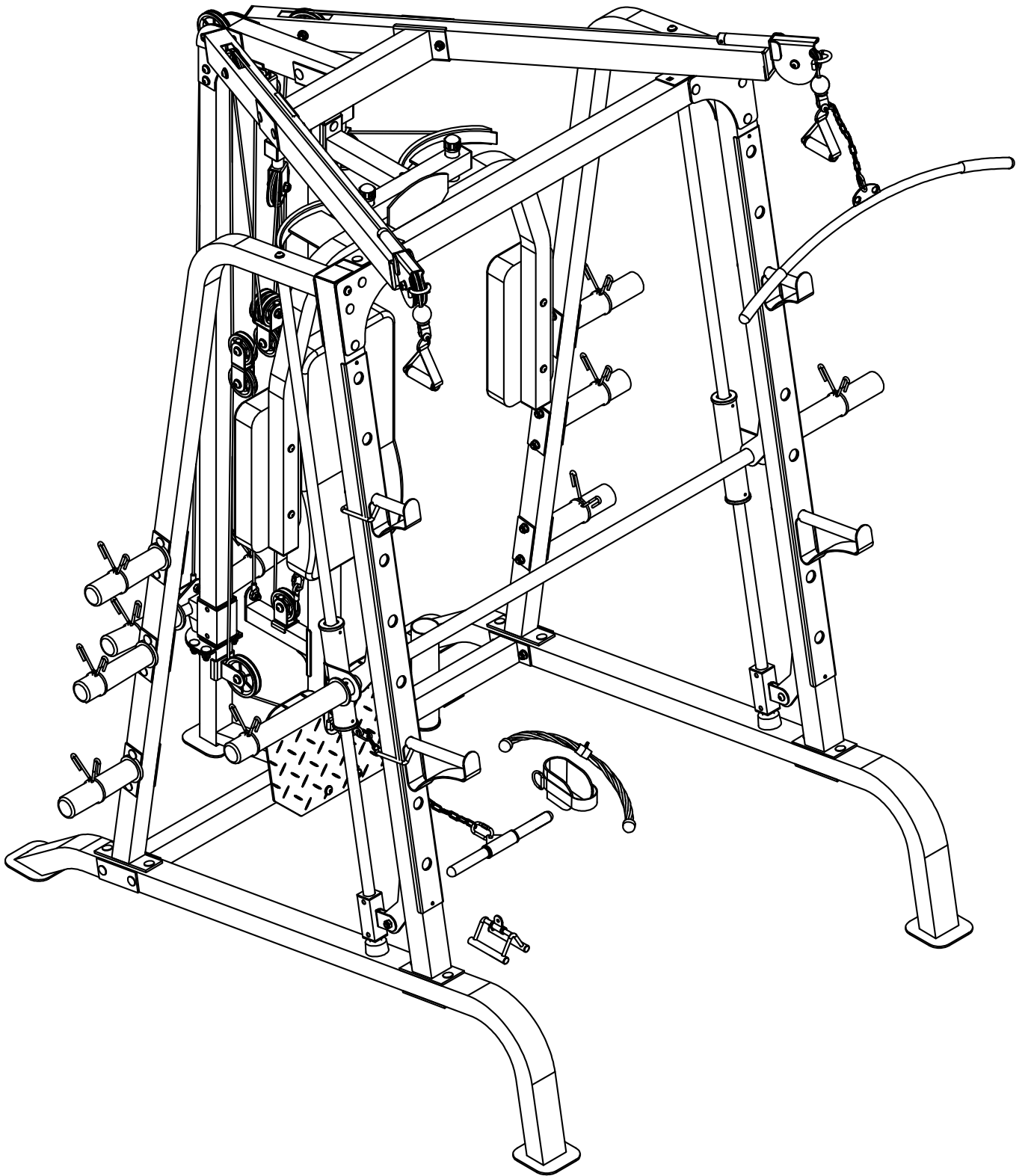
## MARCY<sup>®</sup> DIAMOND ELITE SMITH MACHINE MD-9010G

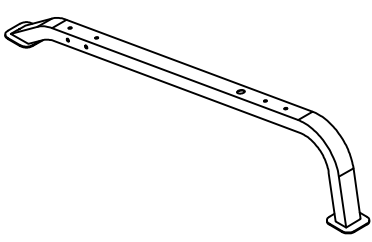


**IMPORTANT:** Please read the Important Safety Notice and Assembly Information in the Owner's manual before assembling this product.

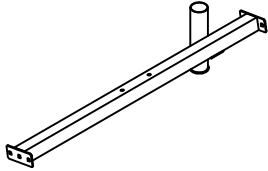
**Assembly Manual**

180615

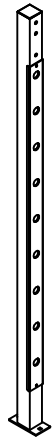




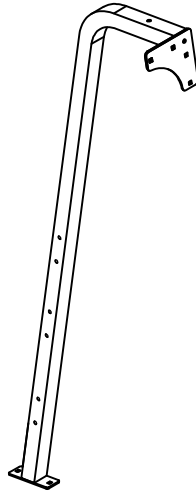
① × 2



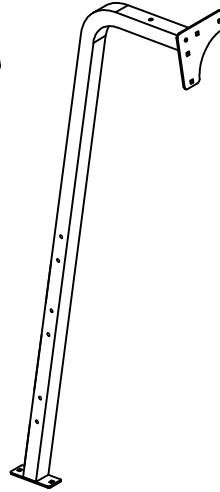
② × 1



③ × 2



④ × 1



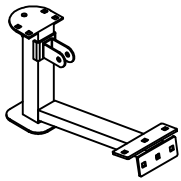
⑤ × 1



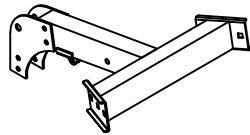
⑥ × 1



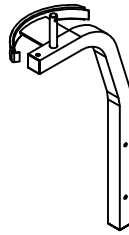
⑦ × 1



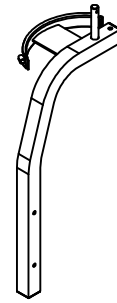
⑧ × 1



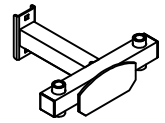
⑨ × 1



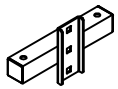
⑩ × 1



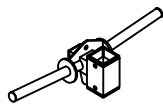
⑪ × 1



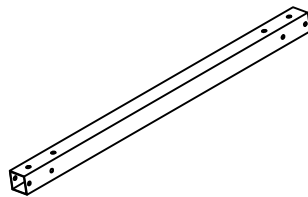
⑫ × 1



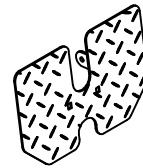
⑬ × 1



⑭ × 1



⑮ × 1



⑯ × 1



⑰ × 6



⑱ × 1



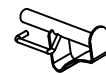
⑲ × 1



⑳ × 2



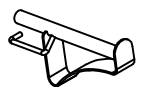
㉑ × 1



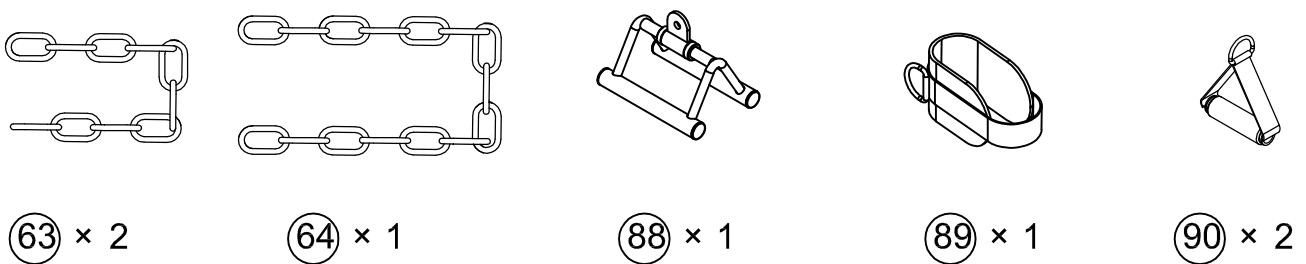
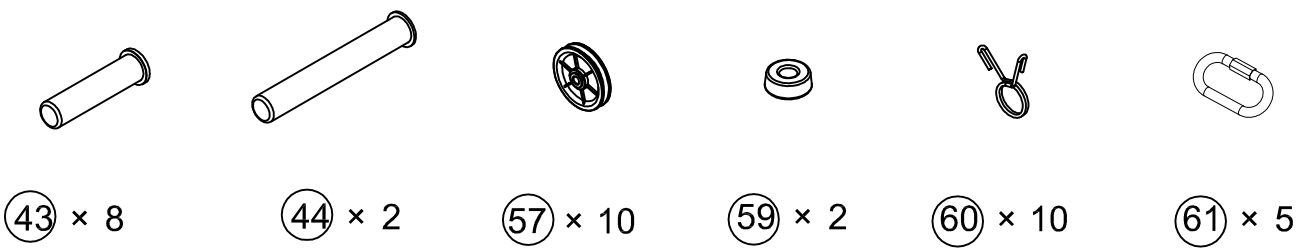
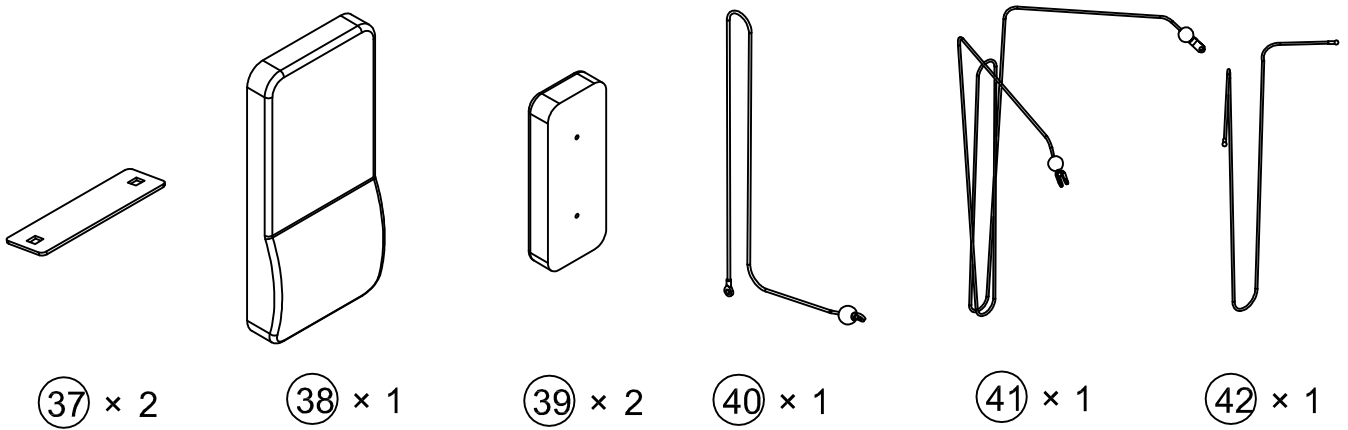
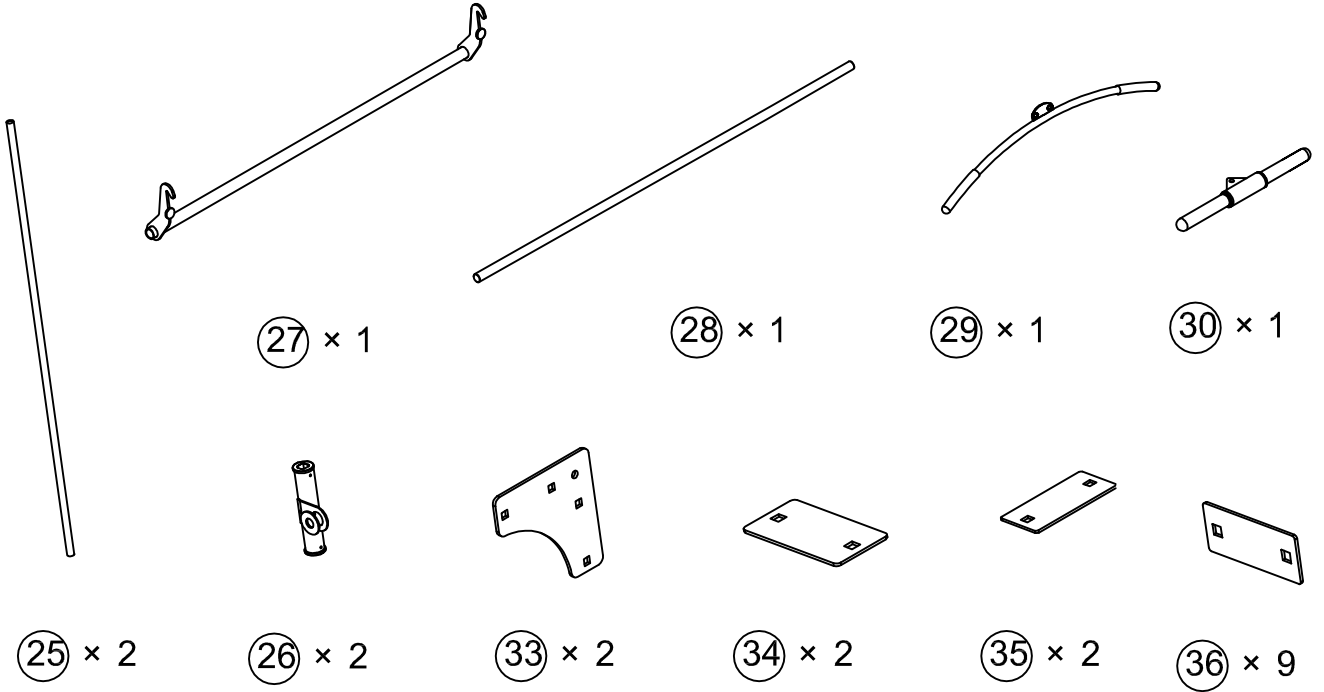
㉒ × 1

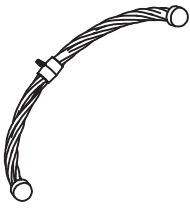


㉓ × 1



㉔ × 1





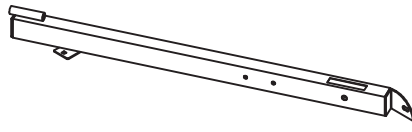
91 x 1



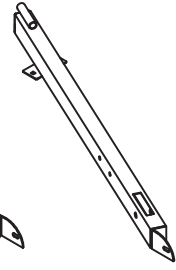
92 x 2



93 x 2



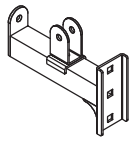
94 x 1



95 x 1



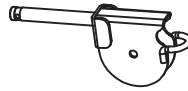
96 x 1



97 x 1



98 x 1



99 x 2



100 x 2



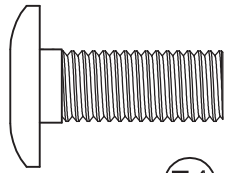
101 x 2



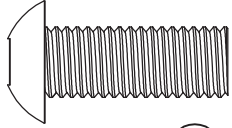
102 x 1



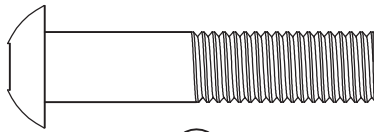
103 x 7



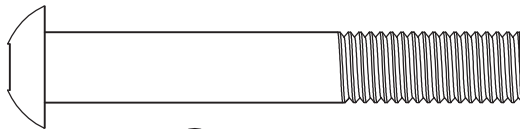
74 × 4



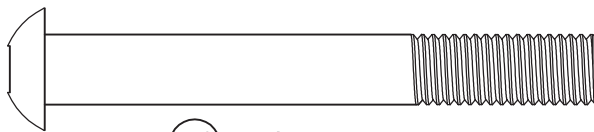
68 × 12



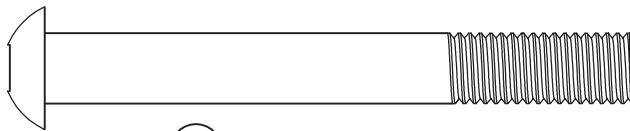
69 × 11



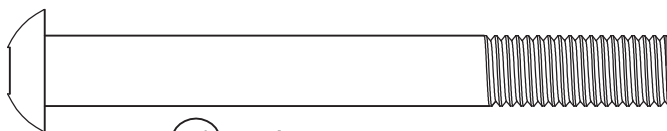
70 × 2



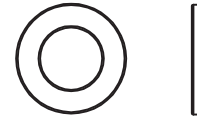
71 × 2



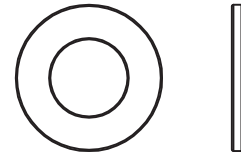
72 × 2



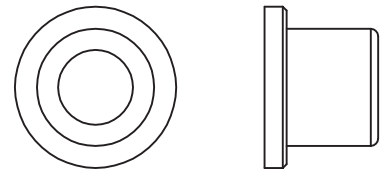
73 × 2



65 × 6

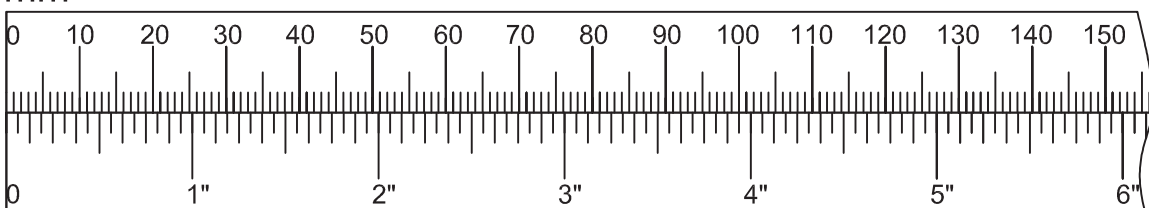


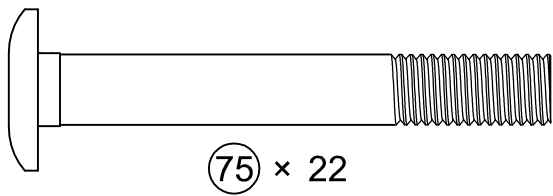
66 × 100



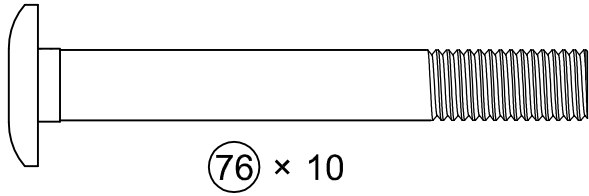
62 × 6

mm

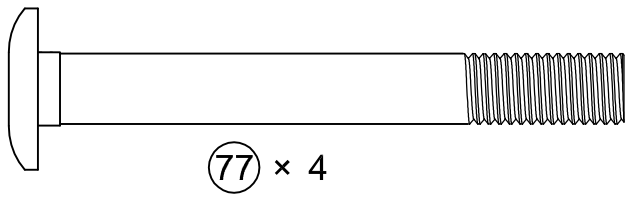




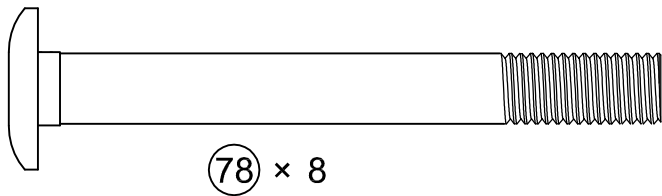
(75) x 22



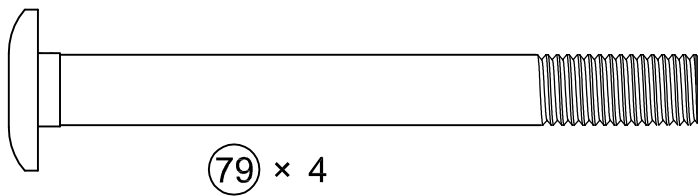
(76) x 10



(77) x 4



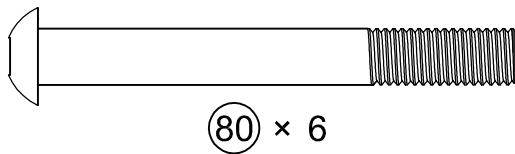
(78) x 8



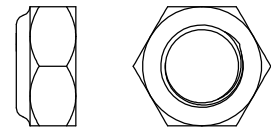
(79) x 4



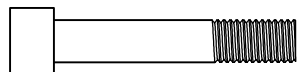
(85) x 2



(80) x 6

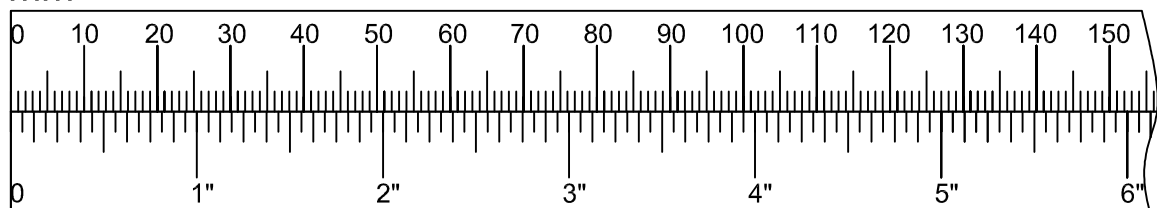


(86) x 82



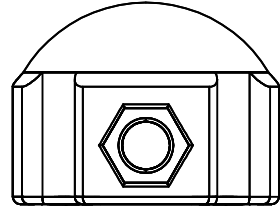
(83) x 2

mm

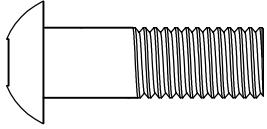




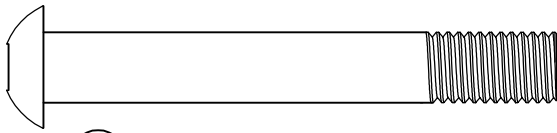
106 × 4



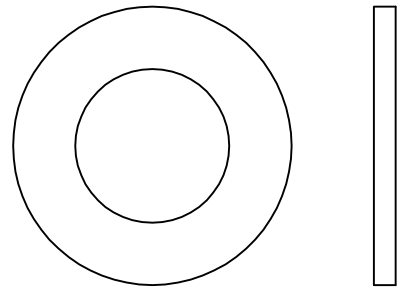
56 × 2



104 × 2



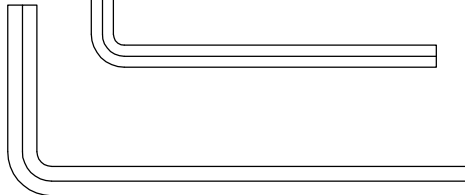
105 × 1



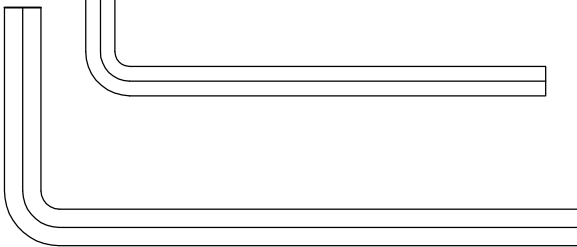
67 × 2



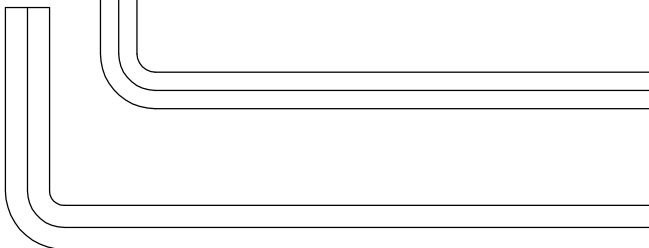
3# × 1



4# × 1

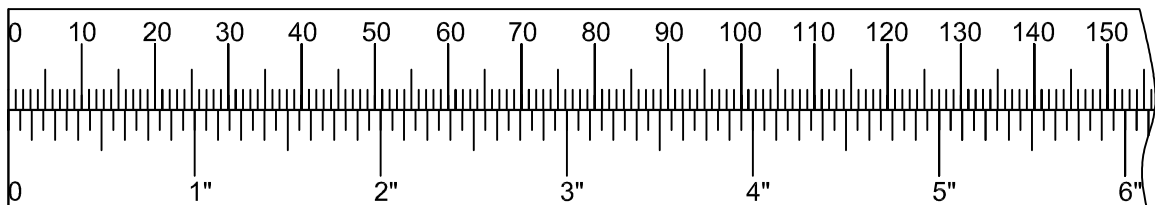


5# × 1

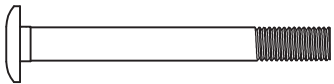


6# × 1

mm

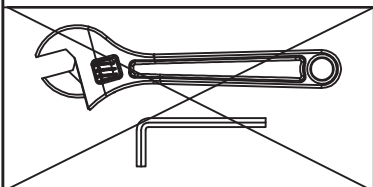




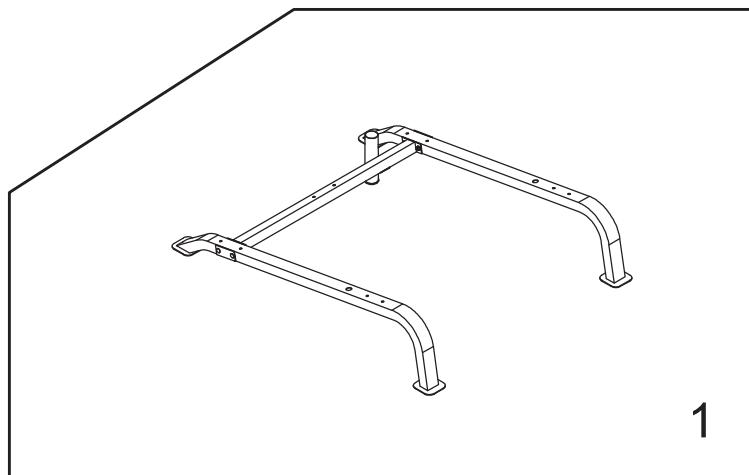
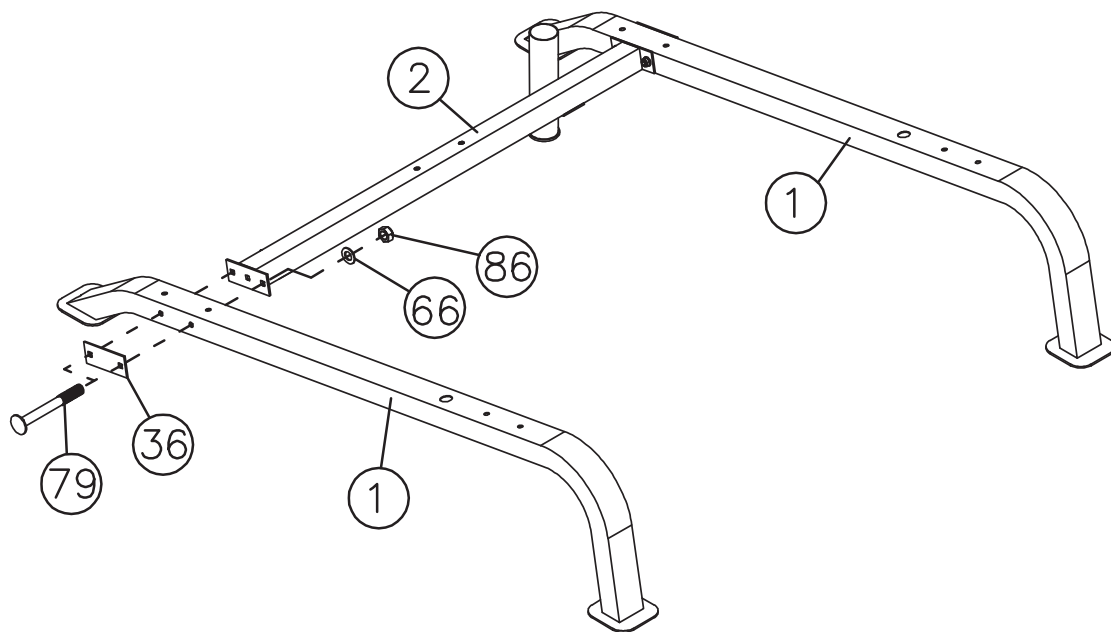
(79)  ×4 M10×3 $\frac{1}{2}$ "

(66)  ×4  $\Phi\frac{3}{4}$ "

(86)  ×4 M10



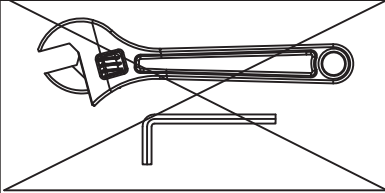
#1	BOX 1
#2	BOX 1
#36	BOX 2



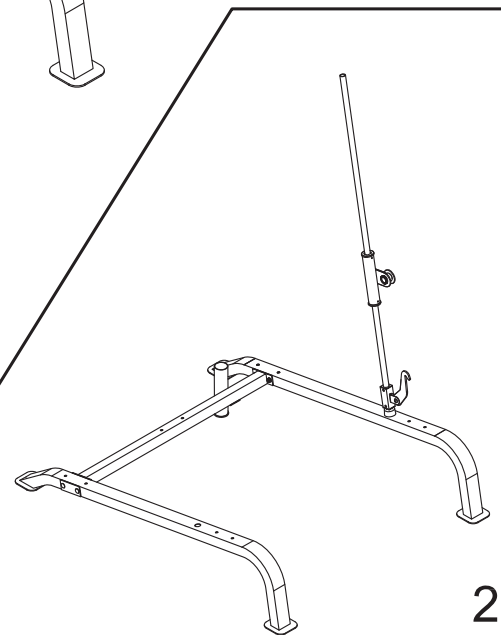
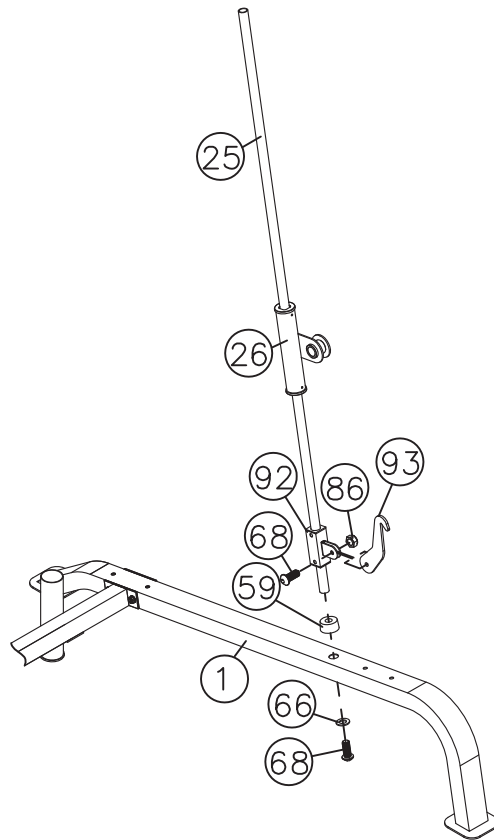
66   ×1  $\Phi \frac{3}{4}$ "

86   ×1 M10

68  ×2 M10×1"




#25	BOX 1
#26	BOX 2
#59	BOX 2
#92	BOX 2
#93	BOX 2




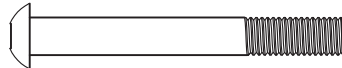
2

66   x8  $\Phi \frac{3}{4}$ "

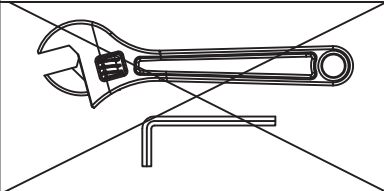
76  x4 M10x3"

68  x1 M10x1"

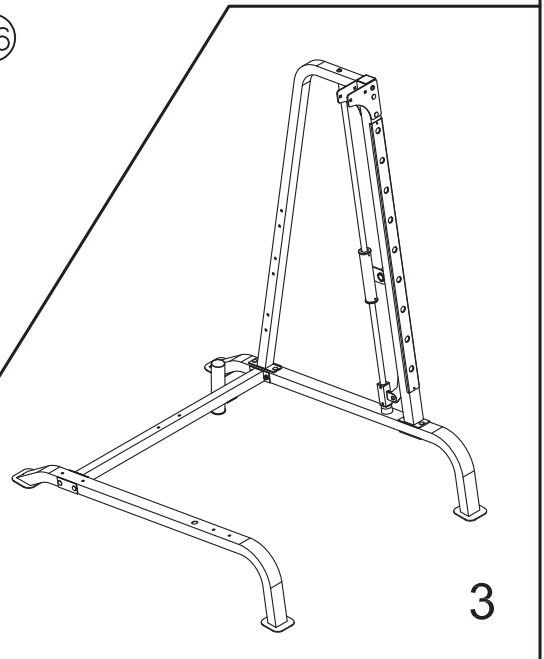
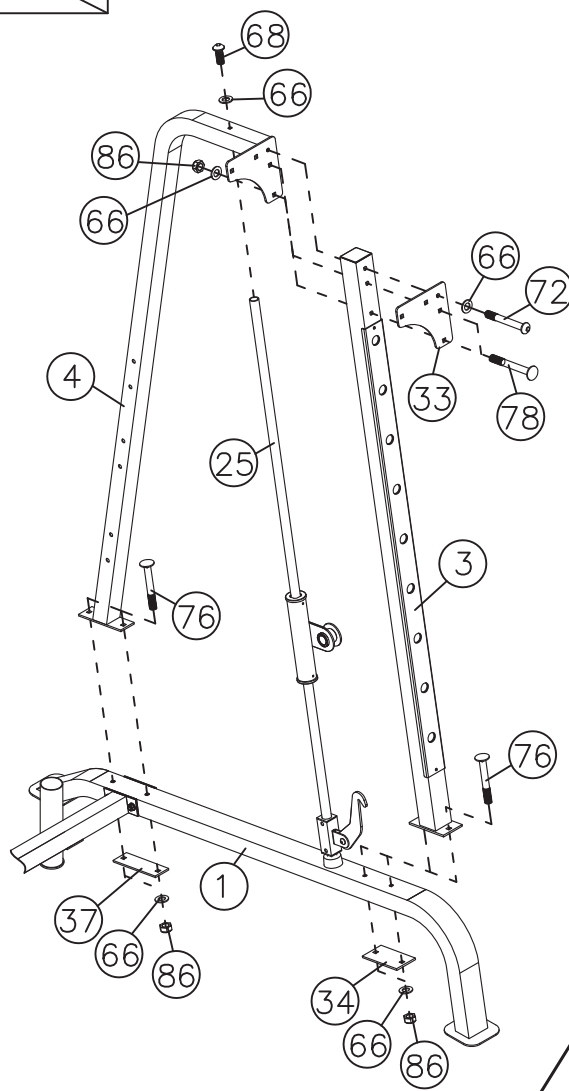
78  x2 M10x3 $\frac{3}{8}$ "

72  x1 M10x3 $\frac{1}{8}$ "

86   x6 M10



#3	BOX 1
#4	BOX 1
#33	BOX 2
#34	BOX 2
#37	BOX 2



66



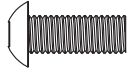
x1  $\Phi \frac{3}{4}$ "

86

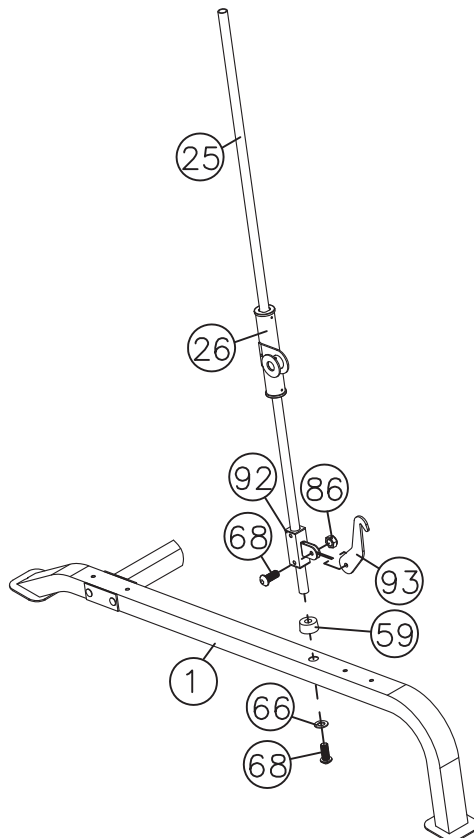
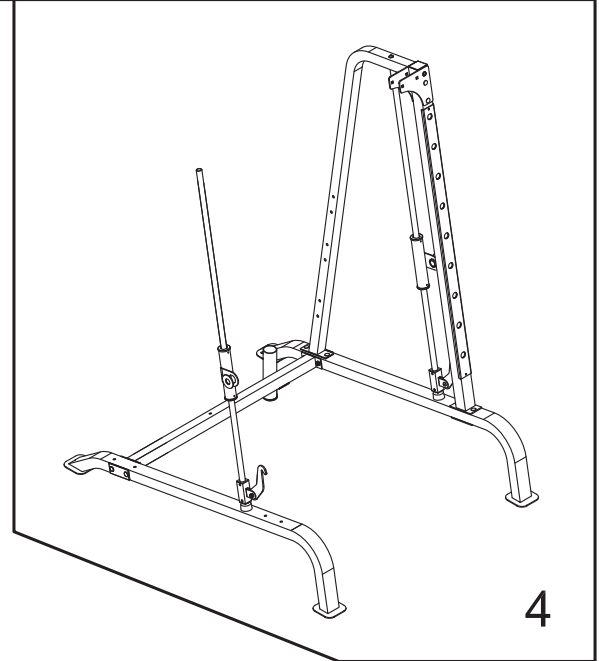
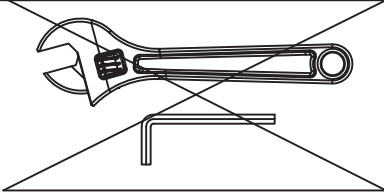


x1 M10

68

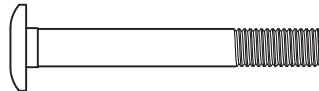


x2 M10x1"

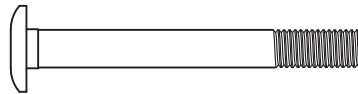


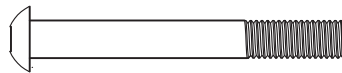
#25	BOX 1
#26	BOX 2
#59	BOX 2
#92	BOX 2
#93	BOX 2

66  x8  $\Phi \frac{3}{4}$ "

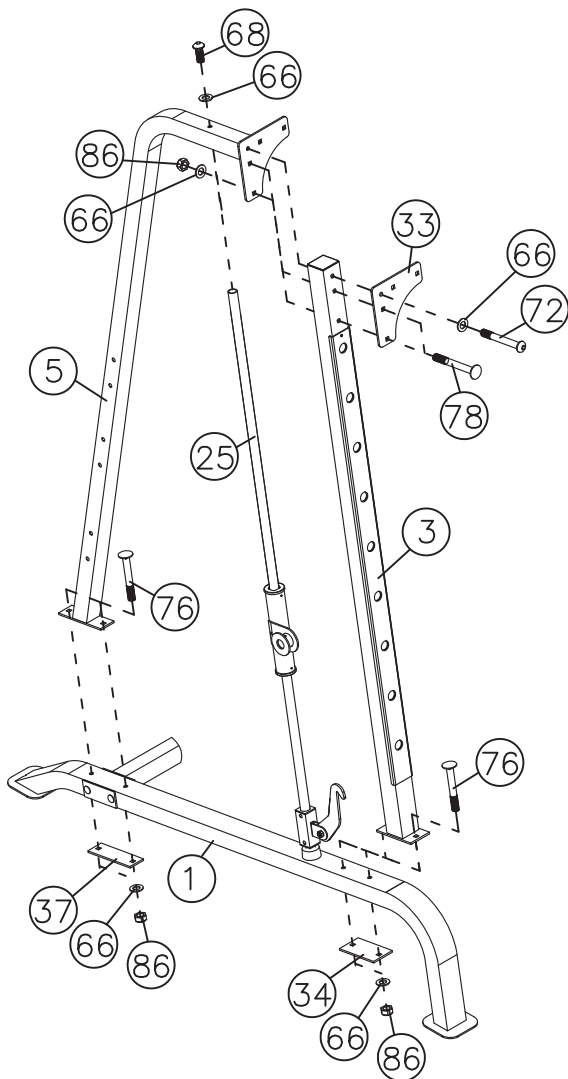
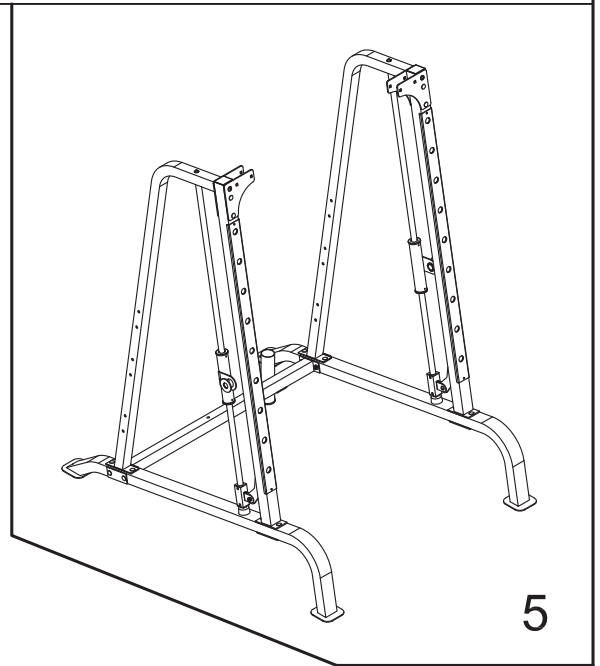
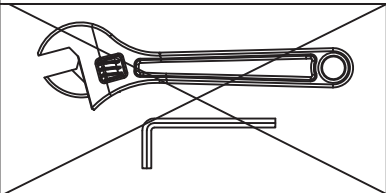
76  x4 M10x3"

68  x1 M10x1"

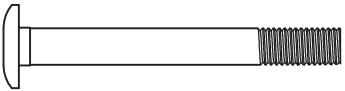
78  x2 M10x3 $\frac{3}{8}$ "

72  x1 M10x3 $\frac{1}{8}$ "

86   x6 M10

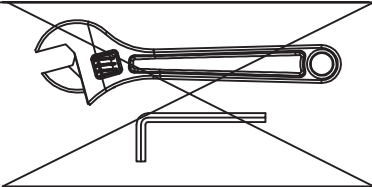


#3	BOX 1
#5	BOX 1
#33	BOX 2
#34	BOX 2
#37	BOX 2

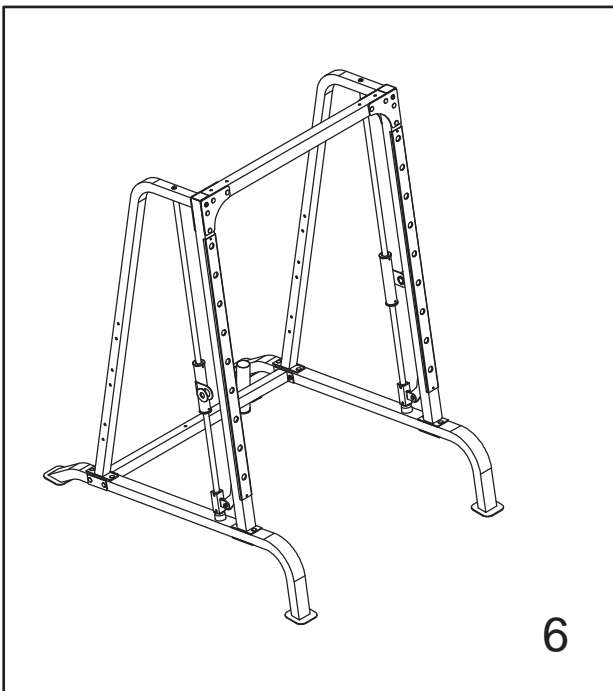
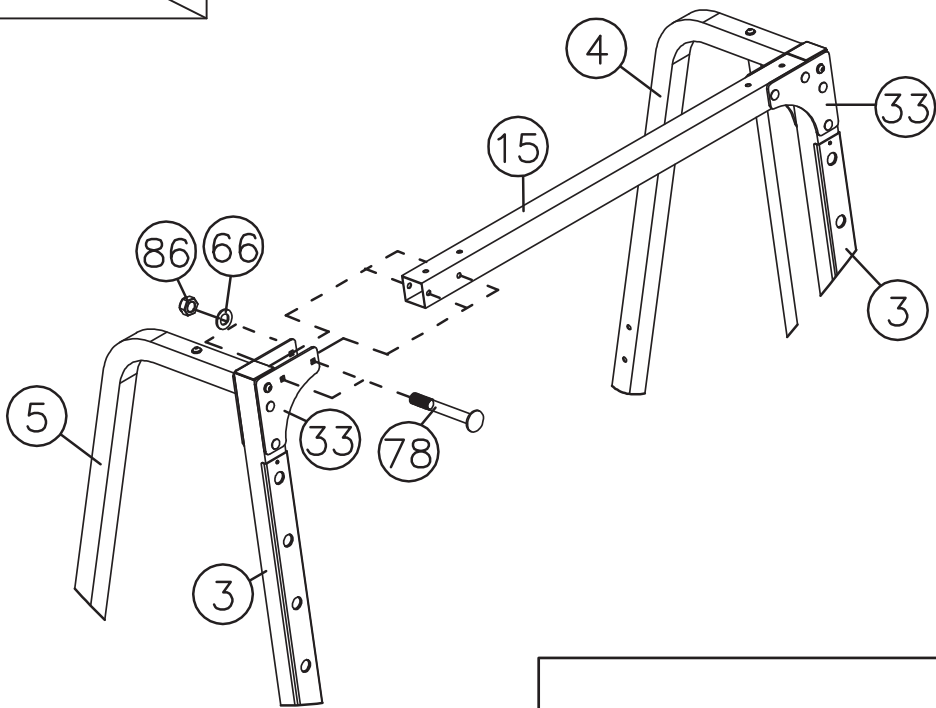
78  ×4 M10×3 $\frac{3}{8}$ "

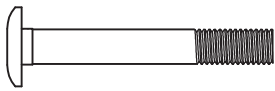
66  ×4  $\Phi\frac{3}{4}$ "

86  ×4 M10

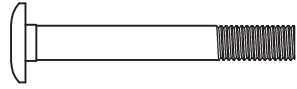


#15      BOX 1

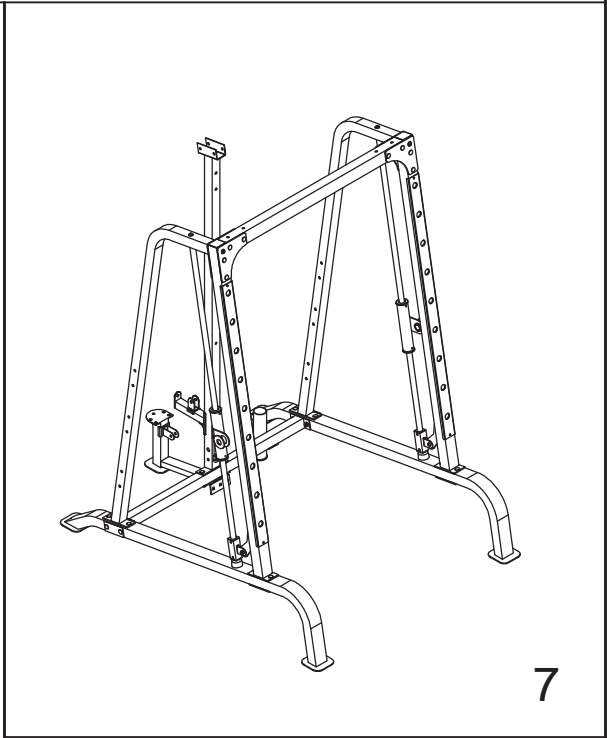
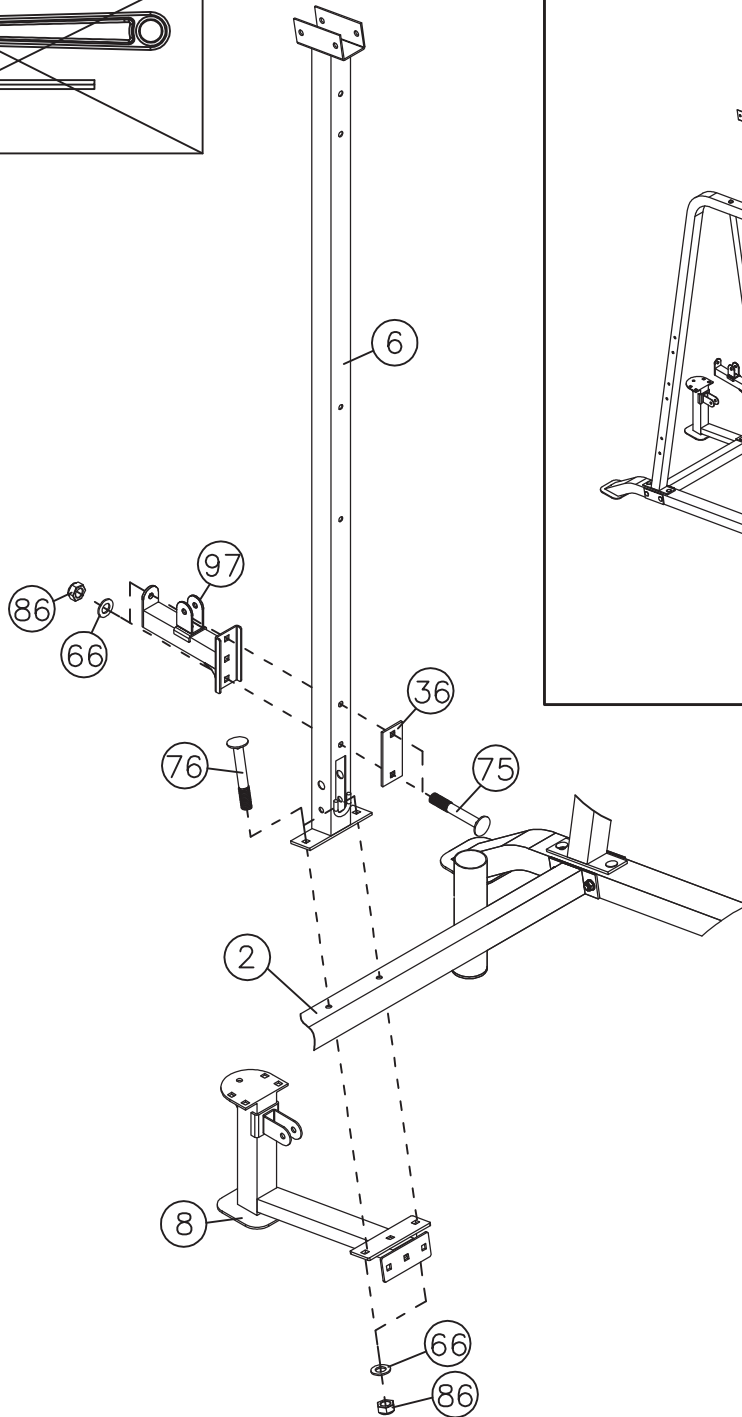
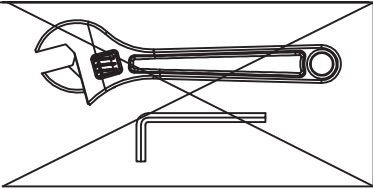


(75)  ×2 M10×2 $\frac{3}{4}$ "

(66)  ×4  $\Phi\frac{3}{4}$ "

(76)  ×2 M10×3"

(86)  ×4 M10

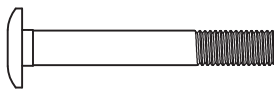


7

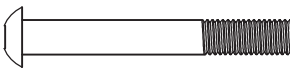
#6	BOX 1
#8	BOX 1
#36	BOX 2
#97	BOX 2

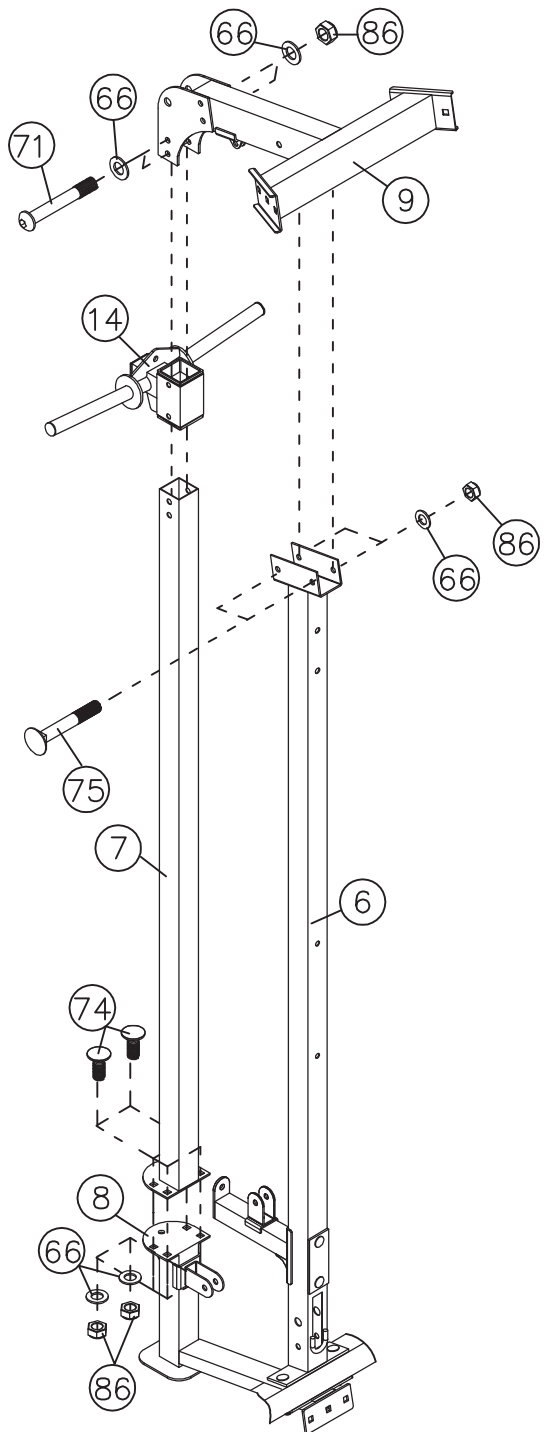
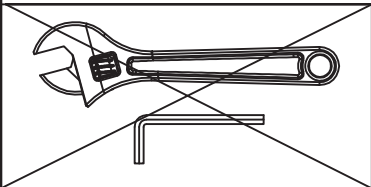
74  ×4 M10×1"

66   ×10  $\Phi \frac{3}{4}$ "

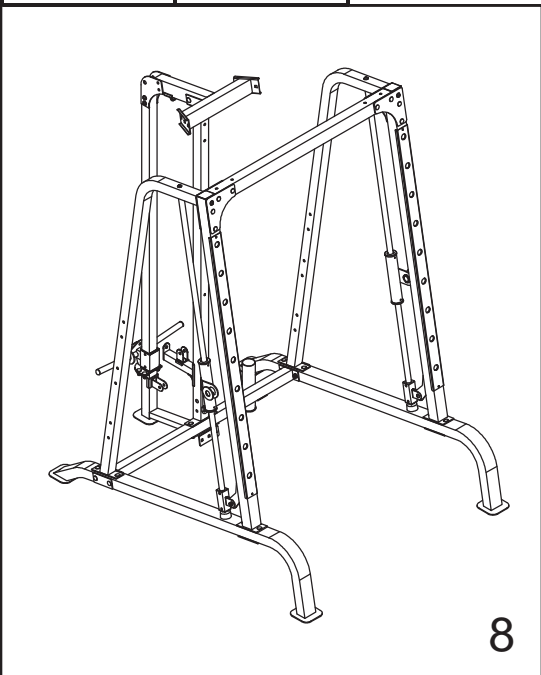
75  ×2 M10×2  $\frac{3}{4}$ "

86   ×8 M10

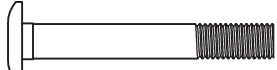
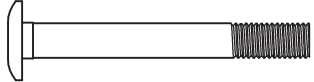
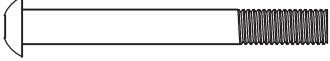
71  ×2 M10×3"






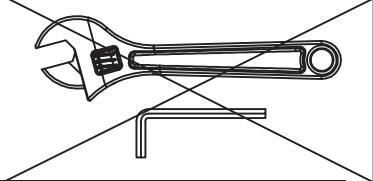
#7	BOX 1
#9	BOX 1
#14	BOX 2



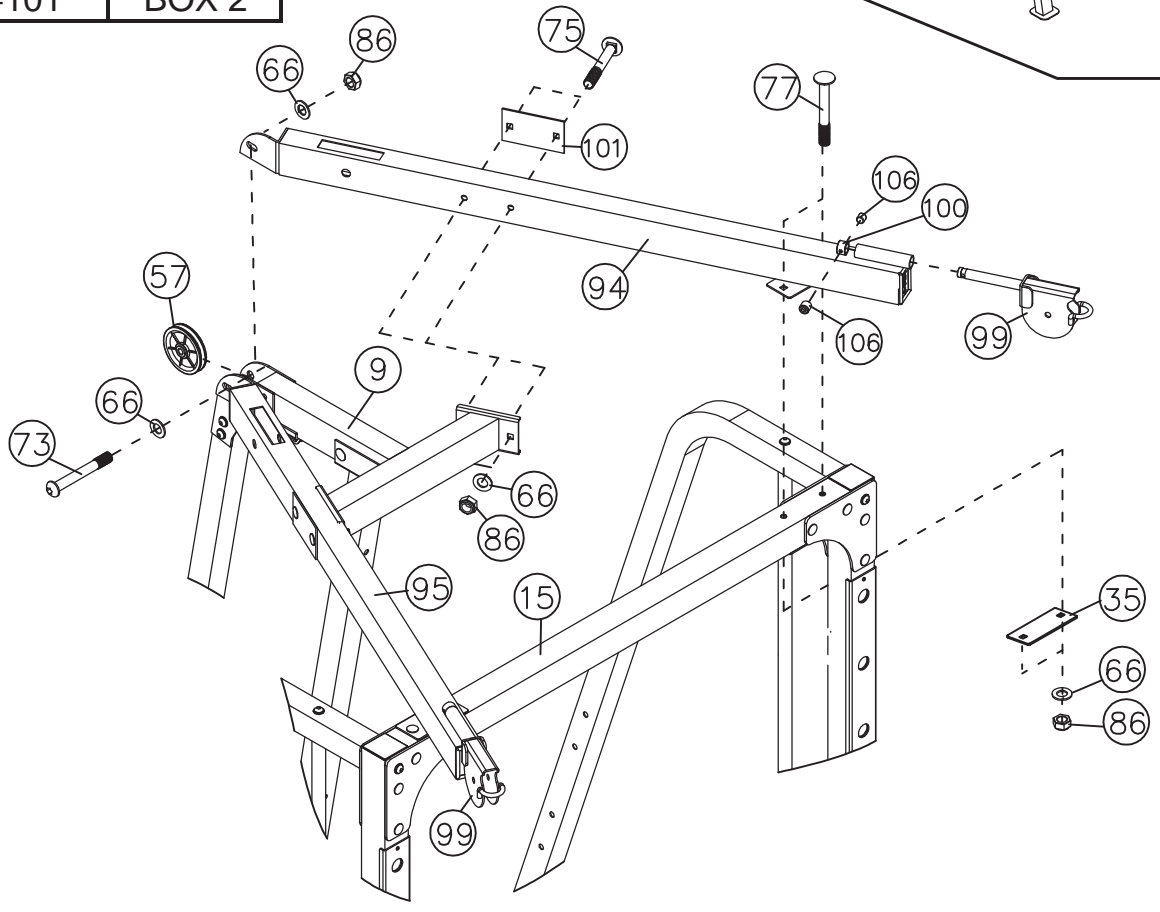
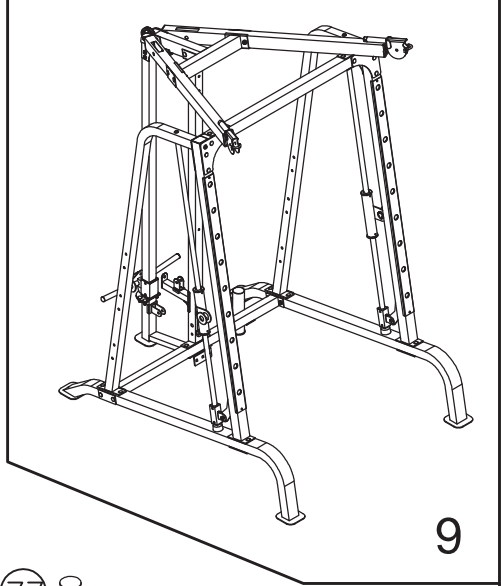


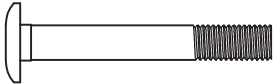
- (75)  ×4 M10×2  $\frac{3}{4}$ "
- (77)  ×4 M10×3  $\frac{1}{8}$ "
- (73)  ×1 M10×3  $\frac{3}{8}$ "

- (106)  ×4 M6×  $\frac{1}{4}$ "
- (66)  ×10  $\Phi\frac{3}{4}$ "
- (86)  ×9 M10



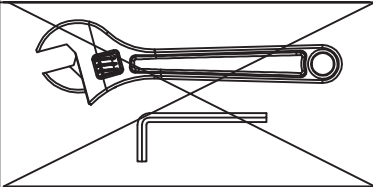
#35	BOX 2
#57	BOX 2
#94	BOX 1
#95	BOX 1
#99	BOX 2
#100	BOX 2
#101	BOX 2



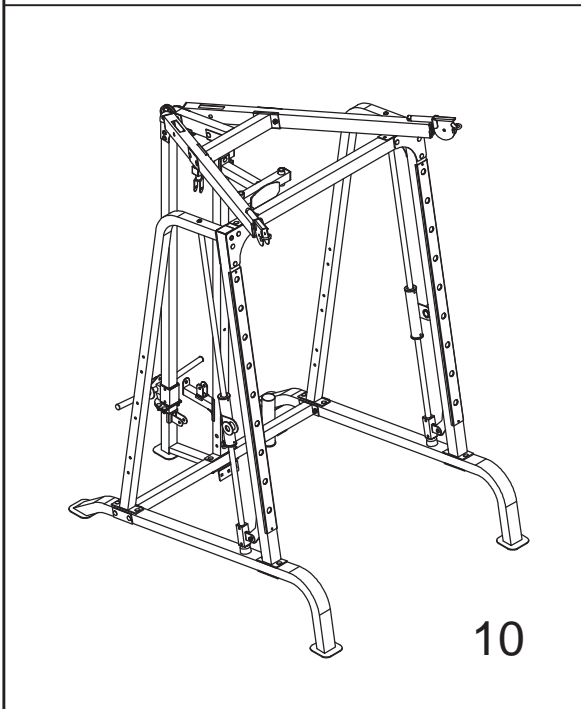
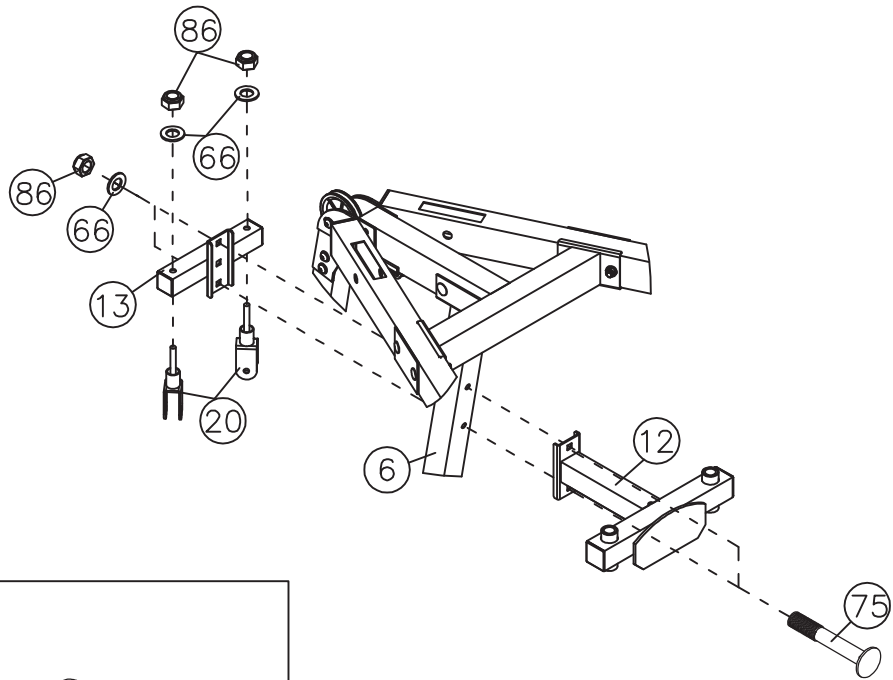
75  ×2 M10×2- $\frac{3}{4}$ "

86   ×4 M10

66   ×4  $\Phi\frac{3}{4}$ "



#12	BOX 2
#13	BOX 2
#20	BOX 2

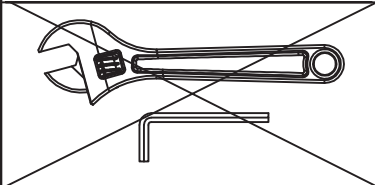


10

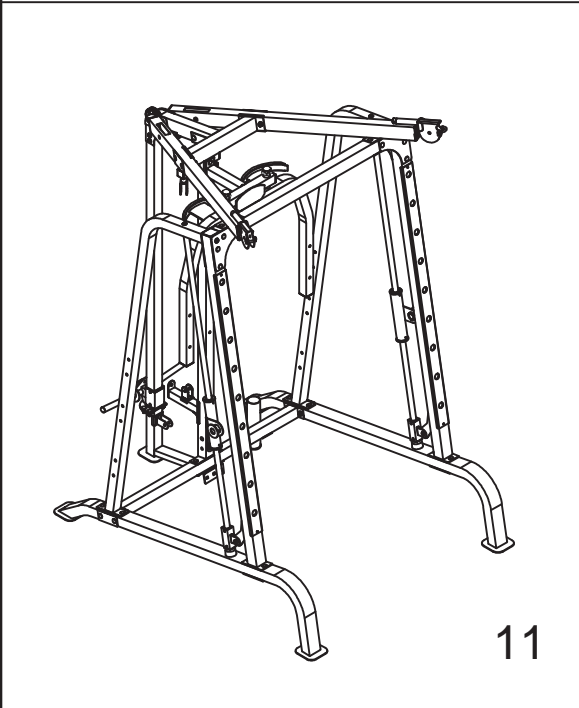
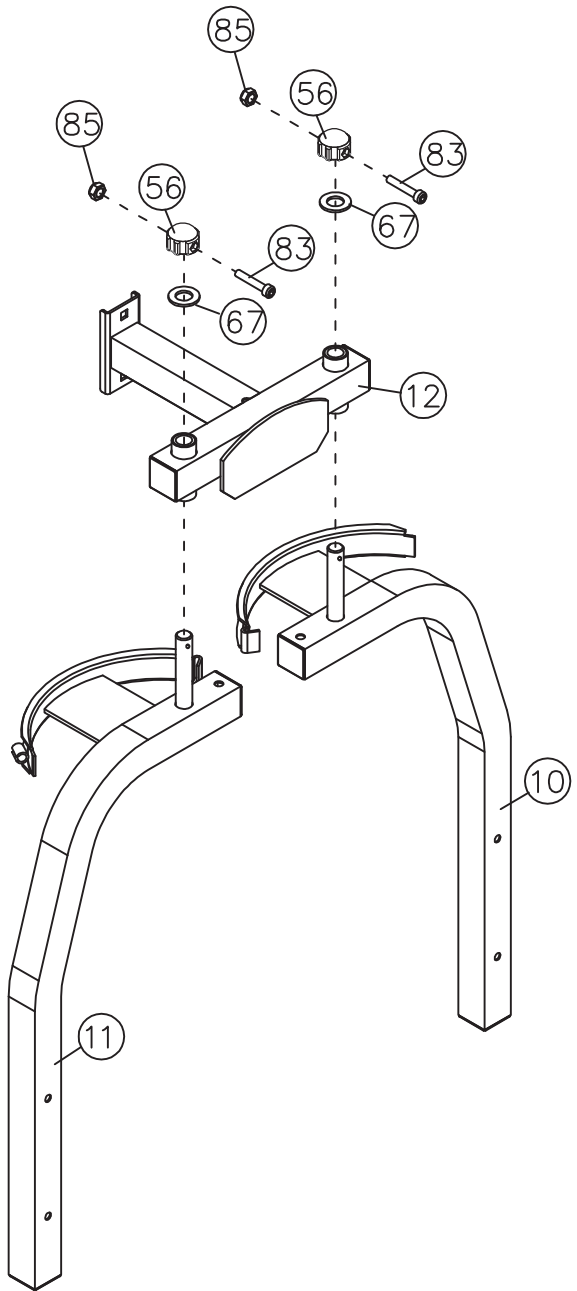
83  ×2 M6×1 $\frac{1}{4}$ "

67   ×2  $\Phi$ 1 $\frac{1}{2}$ "

85   ×2 M6



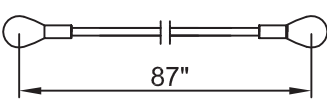
#10	BOX 2
#11	BOX 2

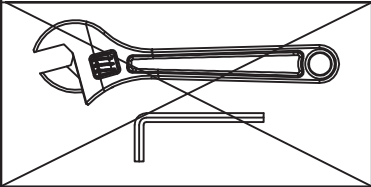


69  ×3 M10×1 $\frac{3}{4}$ "

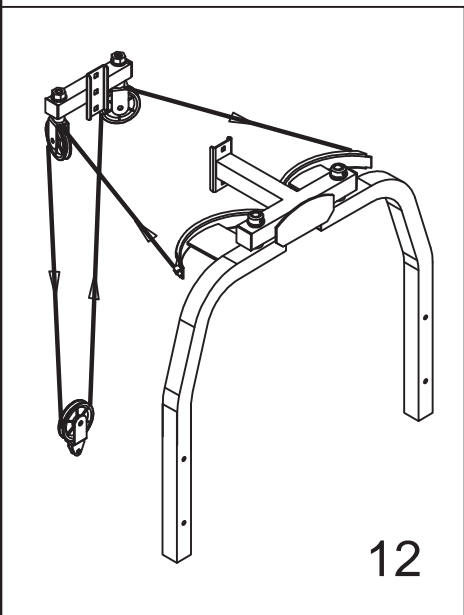
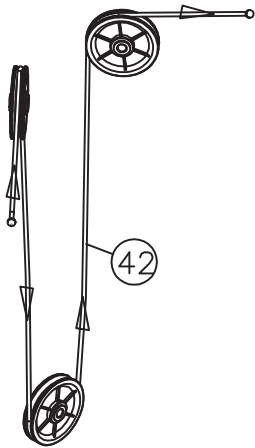
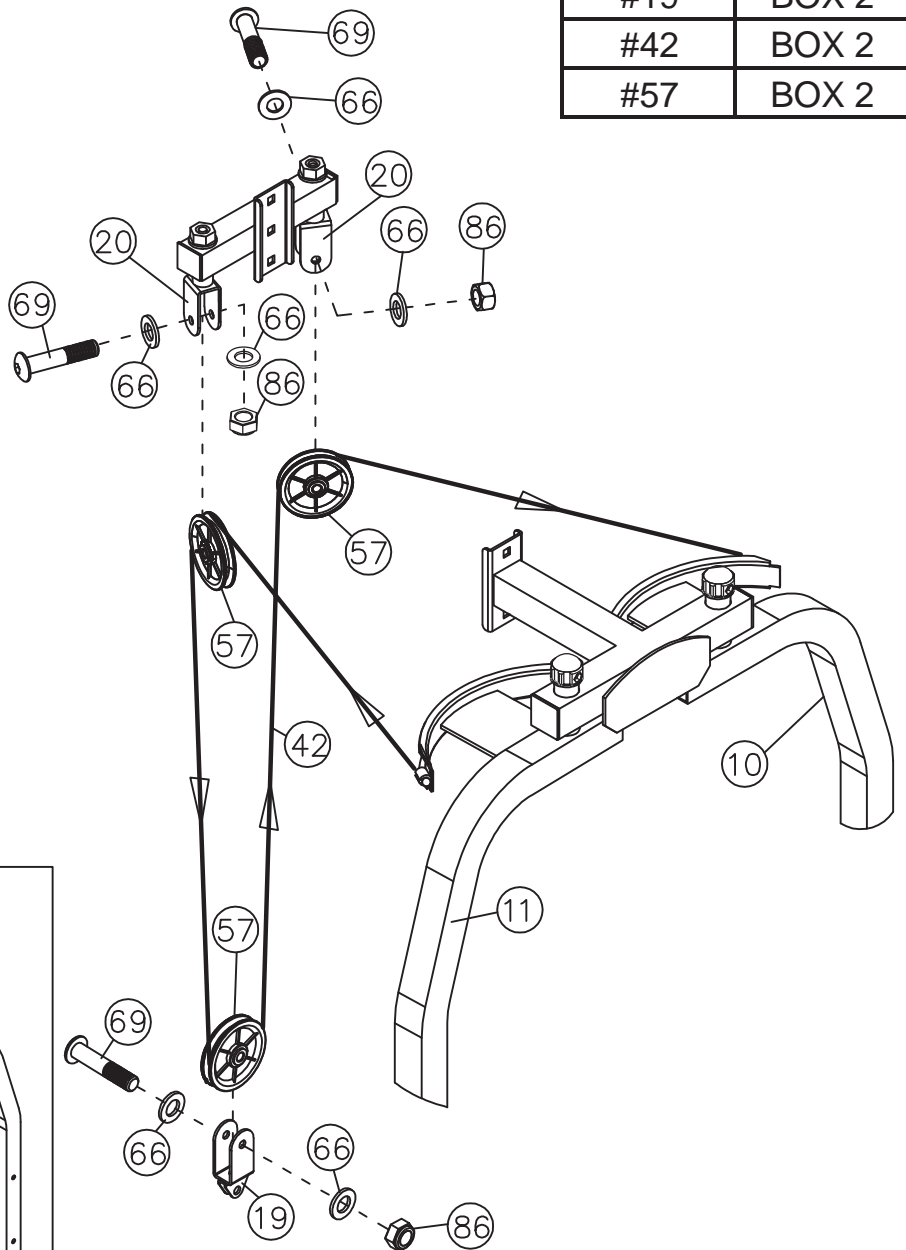
86  ×3 M10

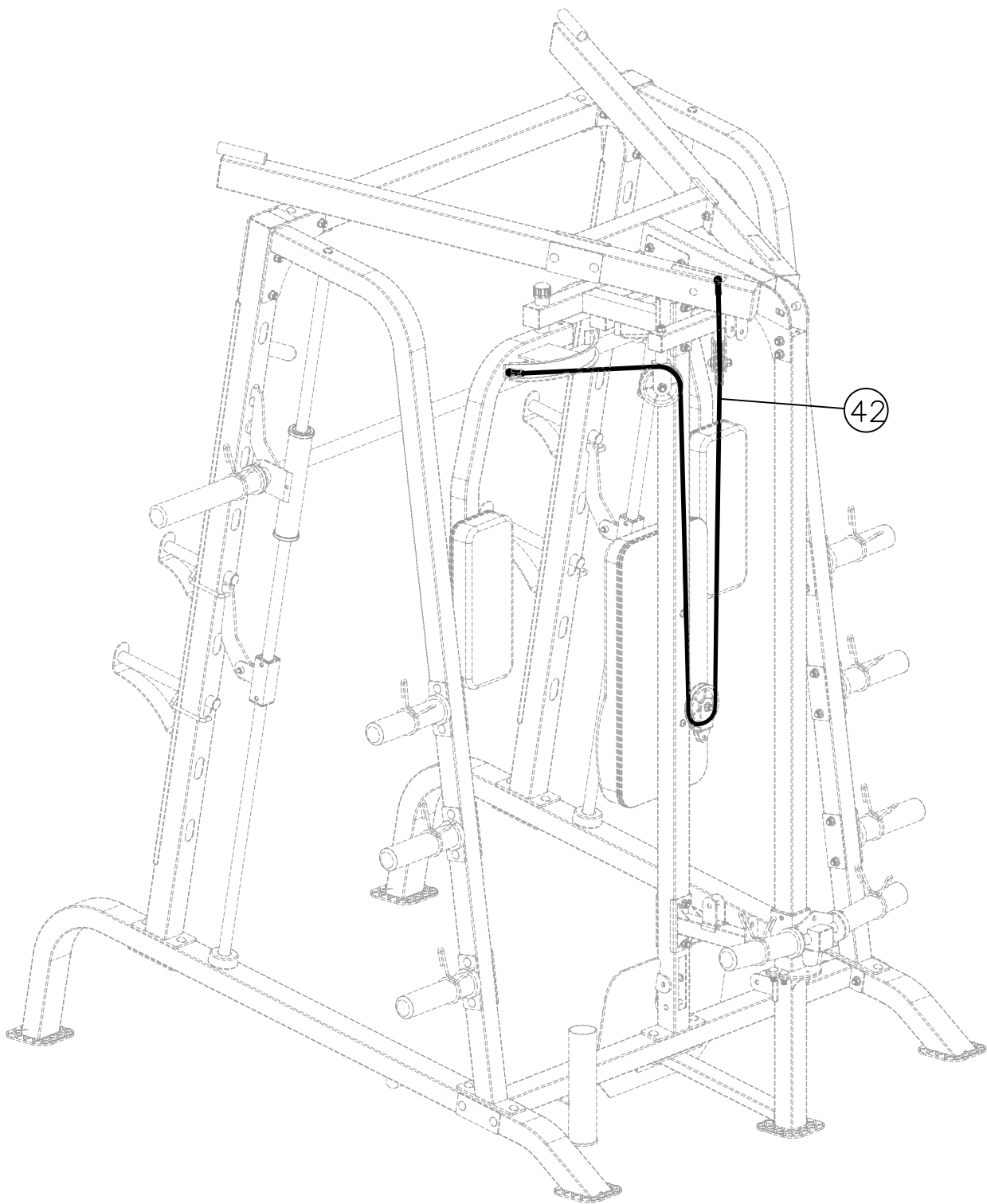
66  ×6  $\Phi\frac{3}{4}$ "

42  ×1  
87"



#19	BOX 2
#42	BOX 2
#57	BOX 2







12-A

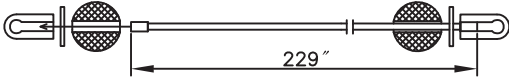
69  ×2 M10×1 $\frac{3}{4}$ "

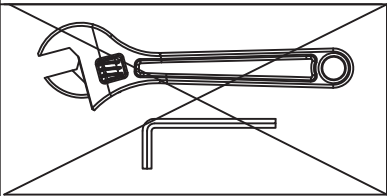
66  ×4  $\phi\frac{3}{4}$ "

70  ×2 M10×2 $\frac{1}{2}$ "

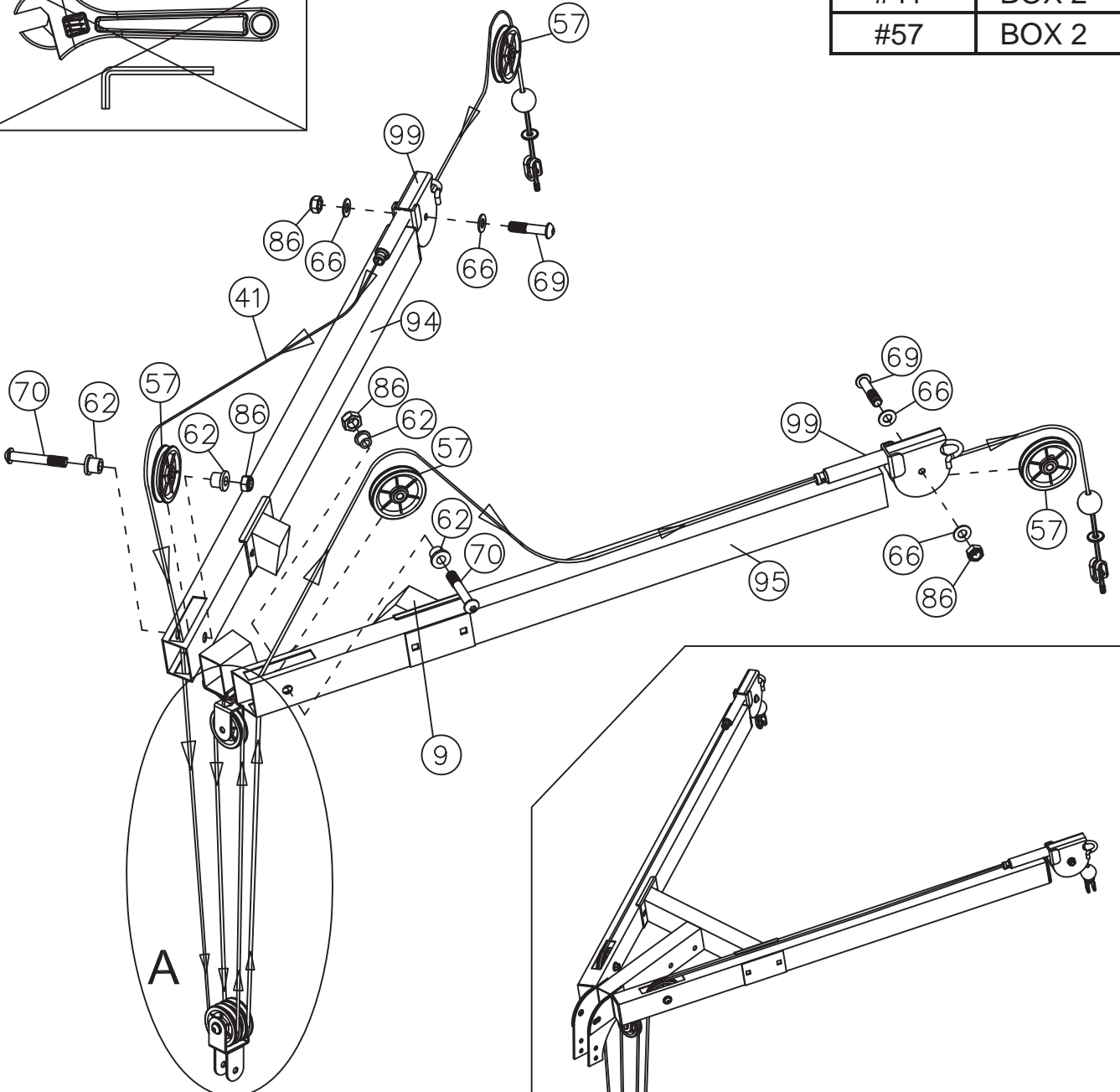
86  ×4 M10

62  ×4

41  ×1  
229"



#41	BOX 2
#57	BOX 2




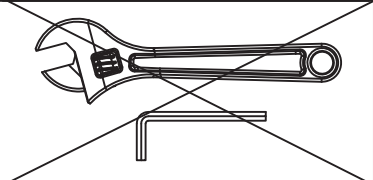
68  ×1 M10×1"

66  ×4  $\Phi \frac{3}{4}$ "

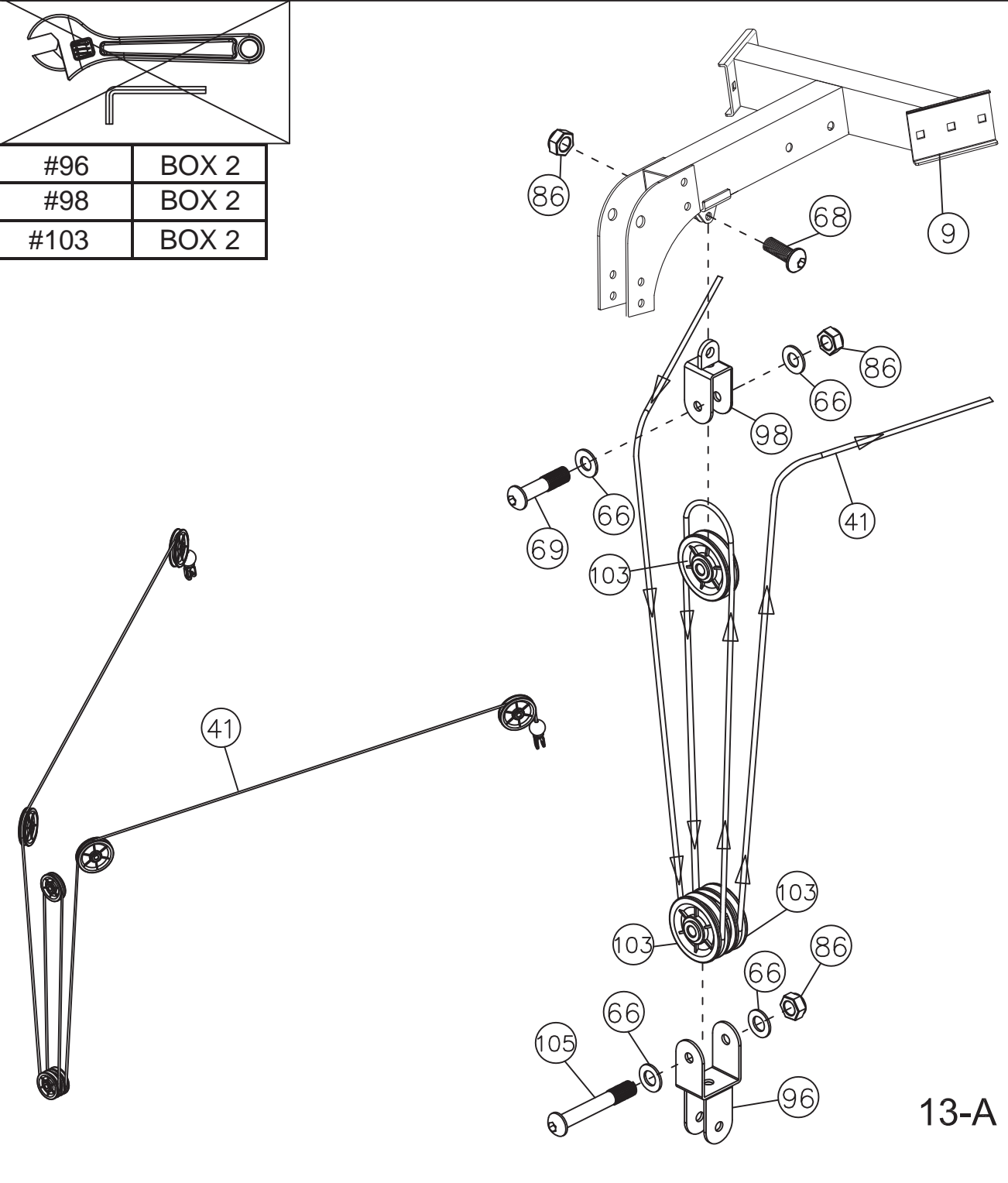
69  ×1 M10×1 $\frac{3}{4}$ "

86  ×3 M10

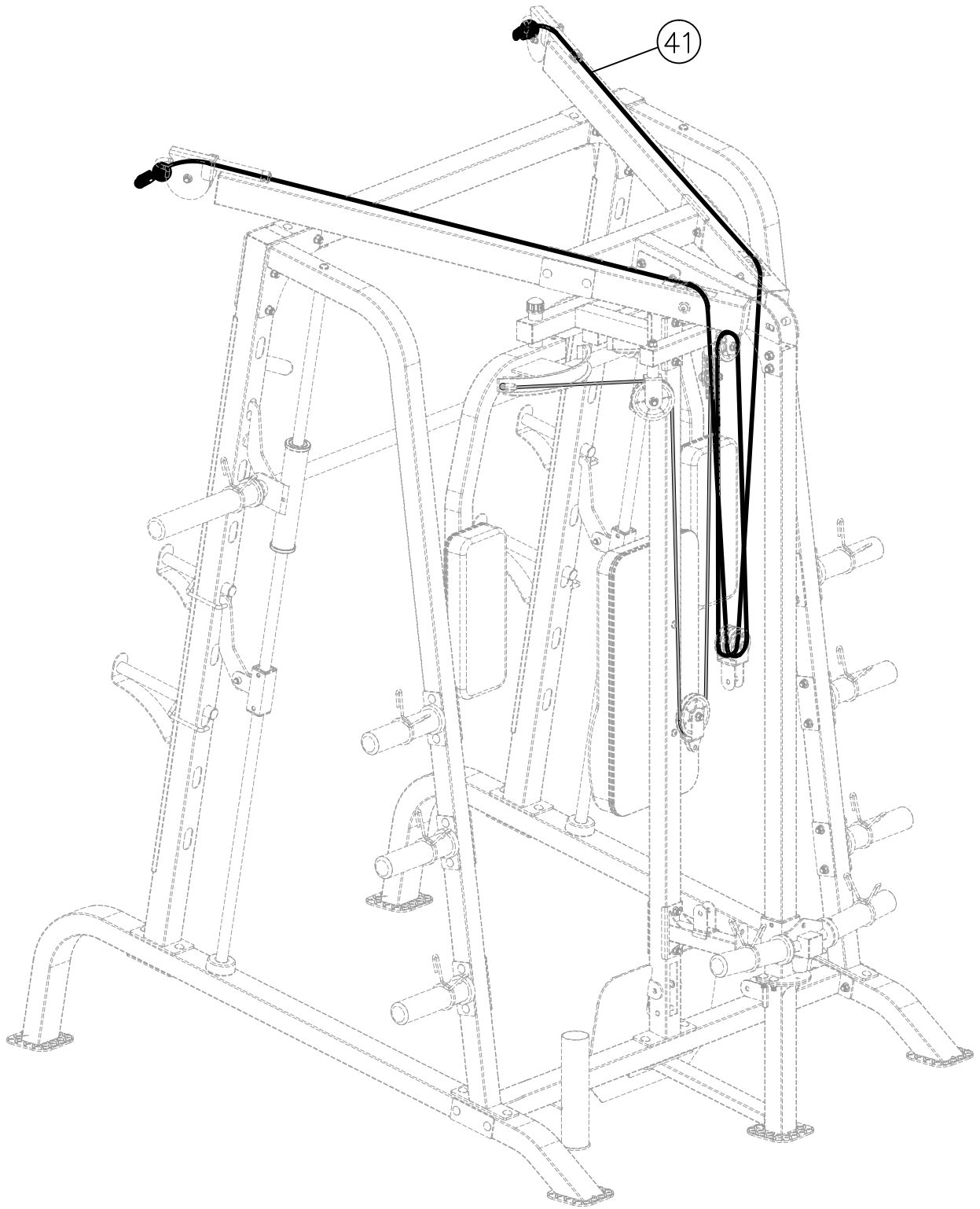
105  ×1 M10×2 $\frac{3}{4}$ "



#96	BOX 2
#98	BOX 2
#103	BOX 2



13-A



13-B

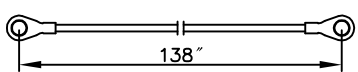


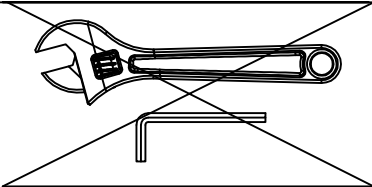
68  ×2 M10×1"

66  ×8  $\Phi \frac{3}{4}$ "

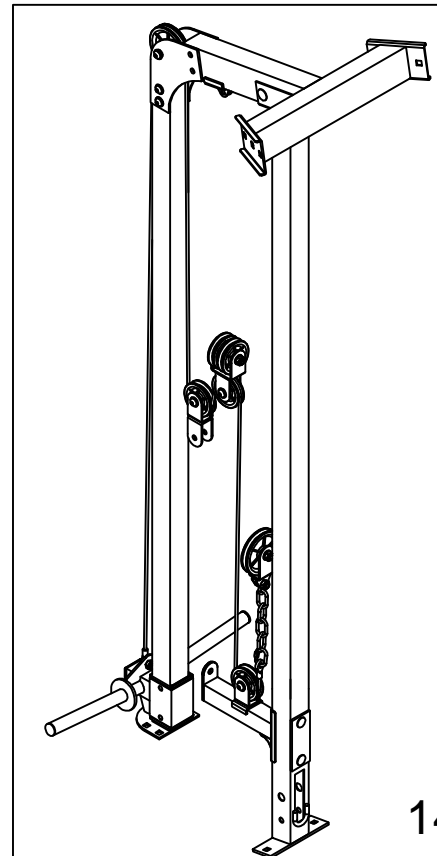
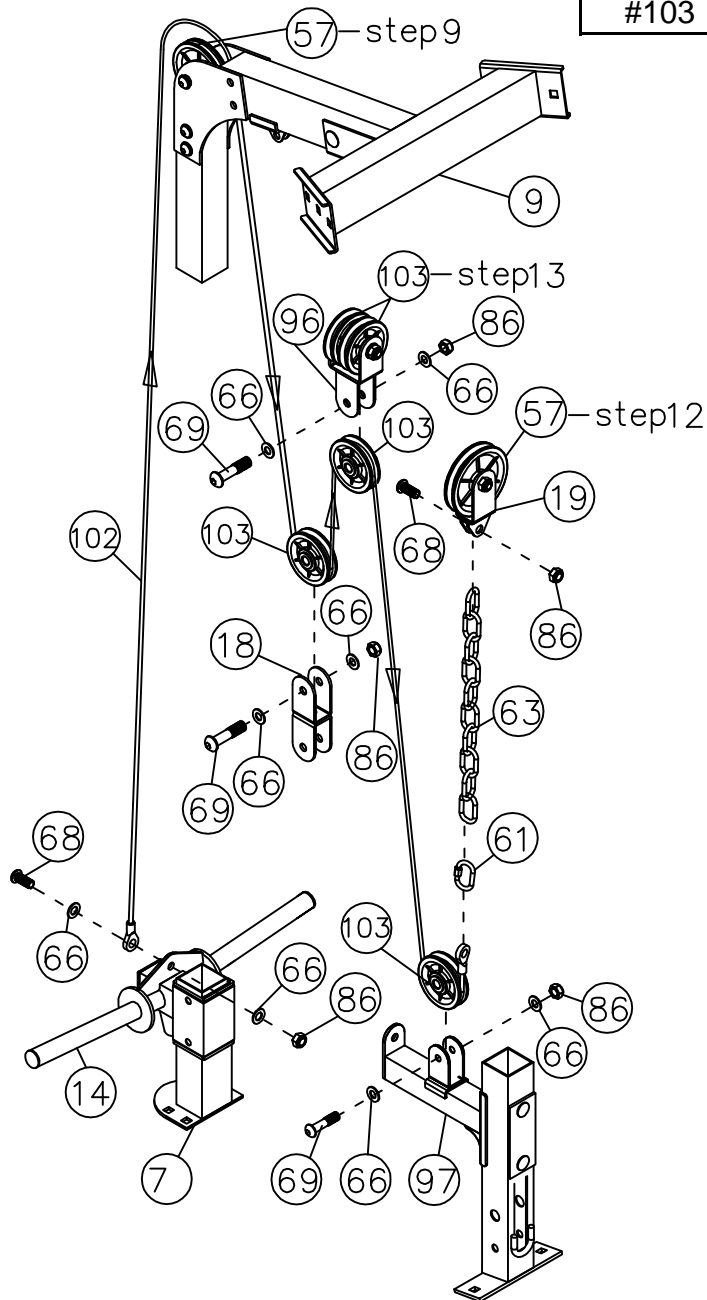
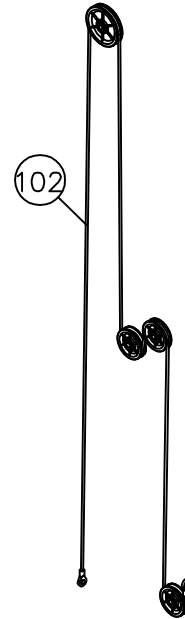
69  ×3 M10×1 $\frac{3}{4}$ "

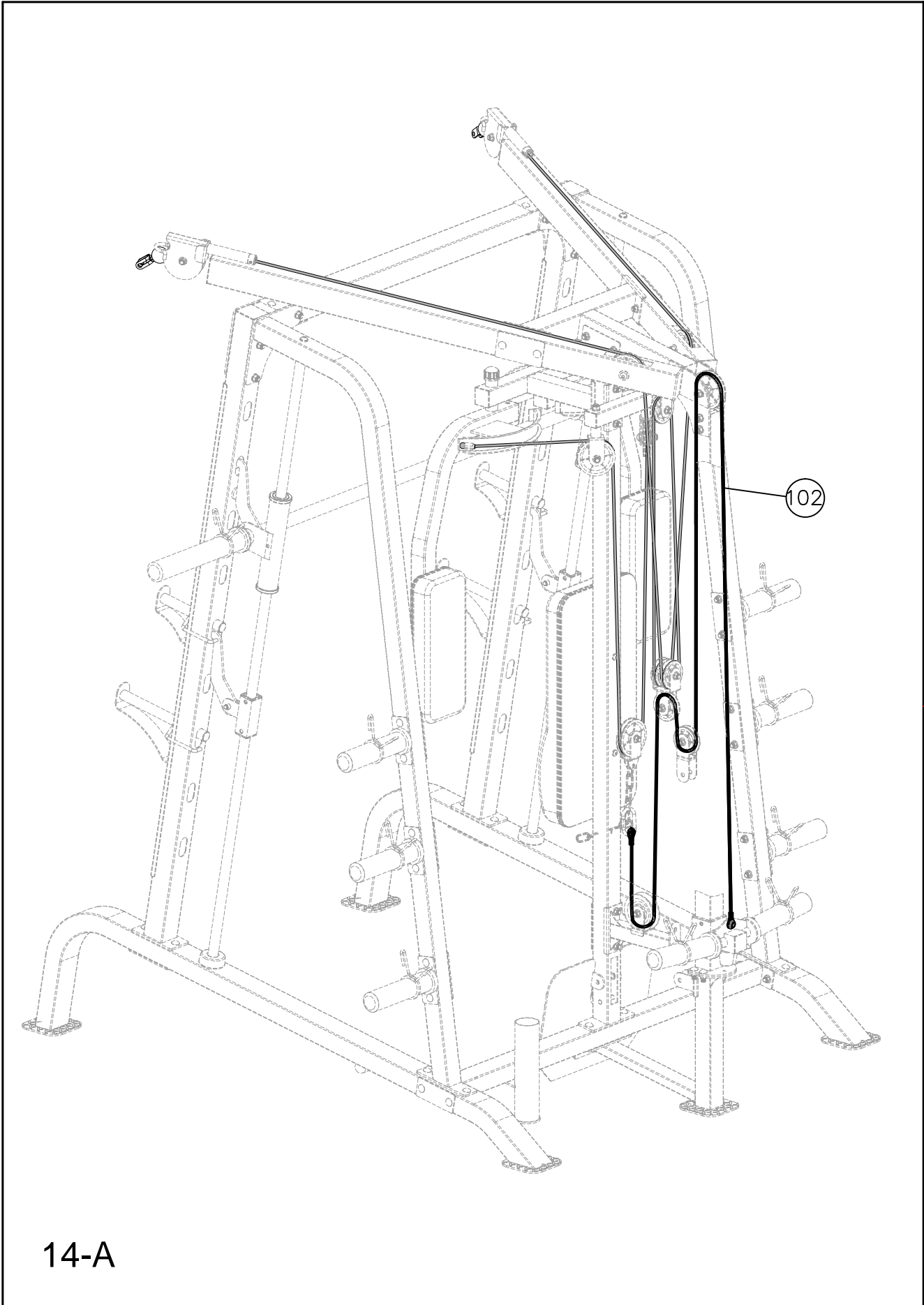
86  ×5 M10

102  ×1  
138"



#18	BOX 2
#61	BOX 2
#63	BOX 2
#102	BOX 2
#103	BOX 2





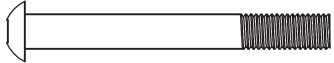
14-A

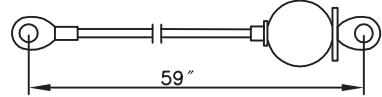
68  ×3 M10×1"

66  ×12  $\Phi\frac{3}{4}$ "

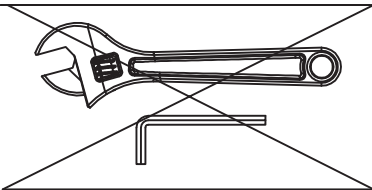
69  ×2 M10×1 $\frac{3}{4}$ "

86  ×6 M10

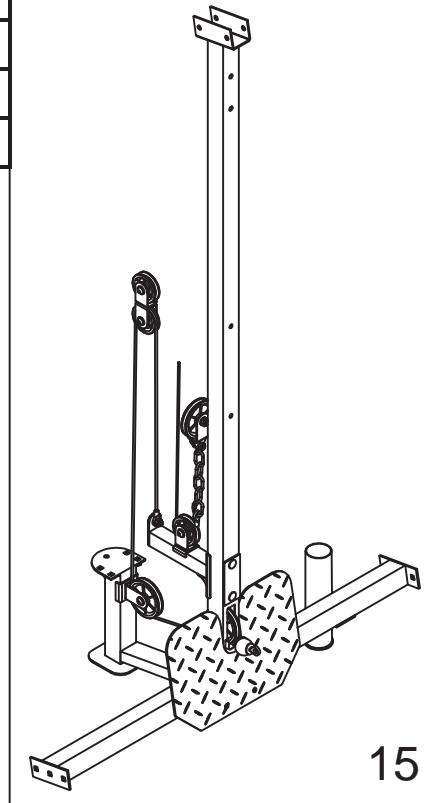
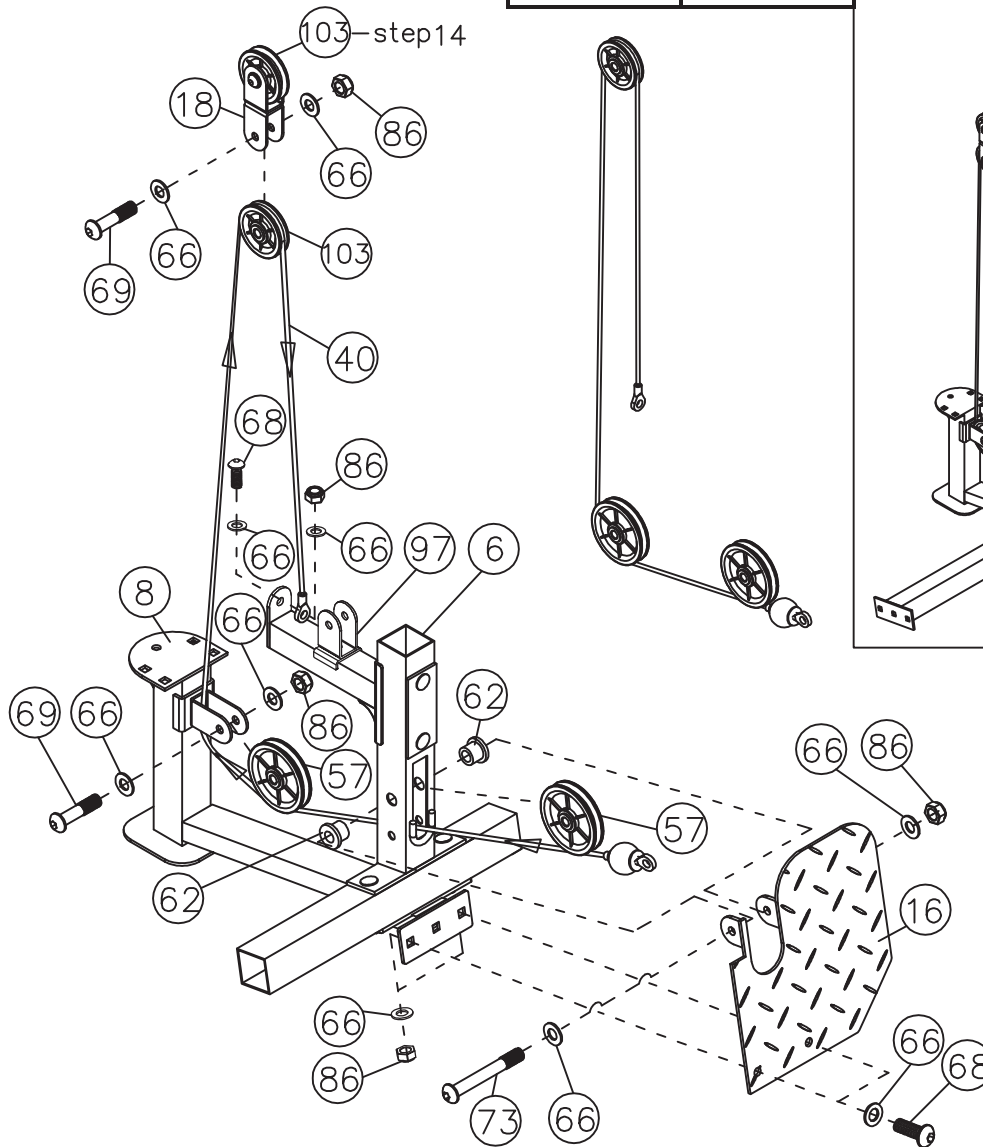
73  ×1 M10×3 $\frac{3}{8}$ "

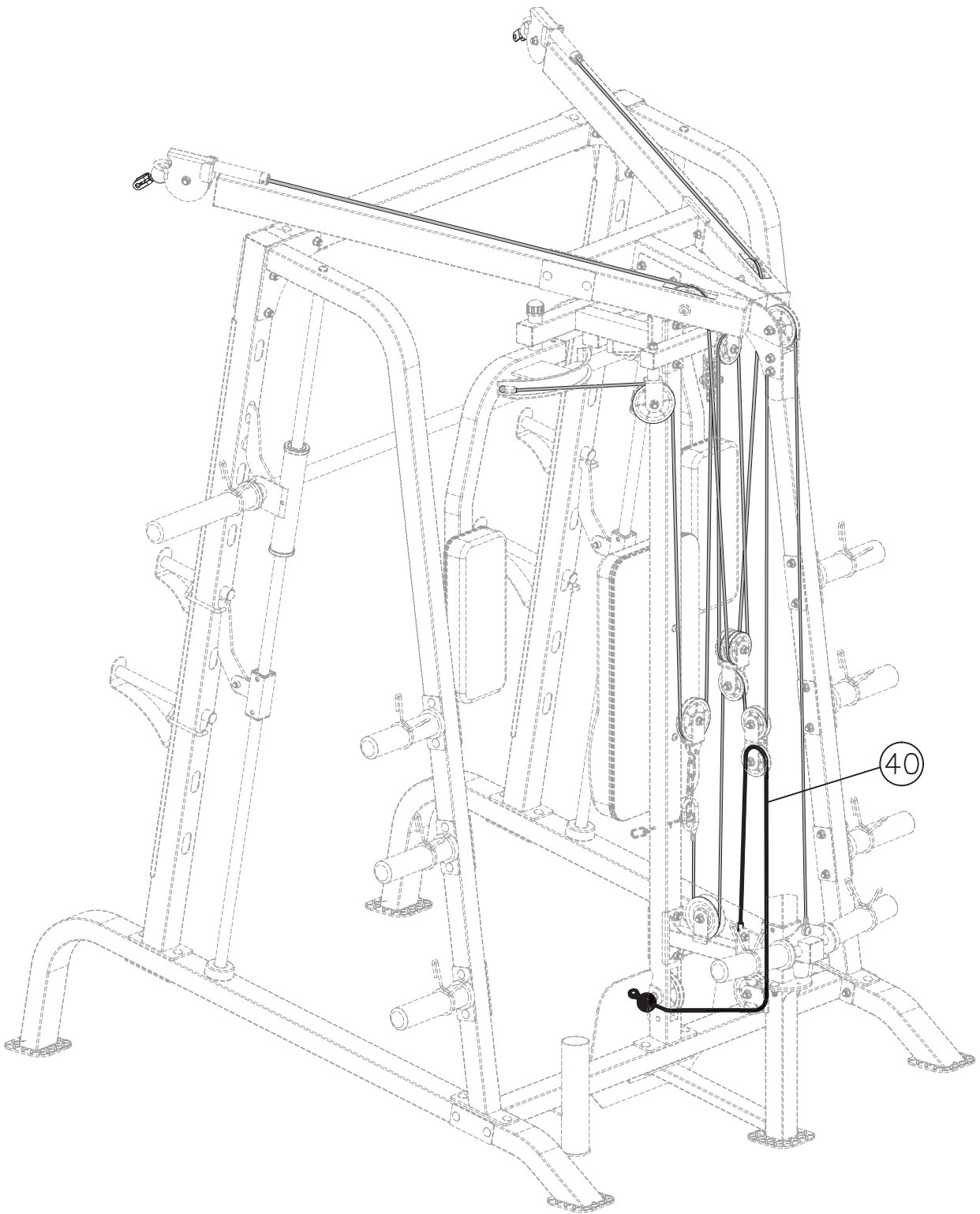
40  ×1  
59"

62  ×4

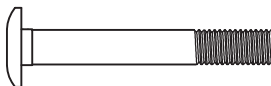


#16	BOX 2
#40	BOX 2
#57	BOX 2
#103	BOX 2



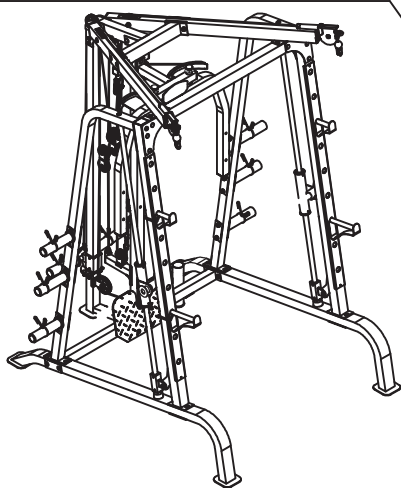
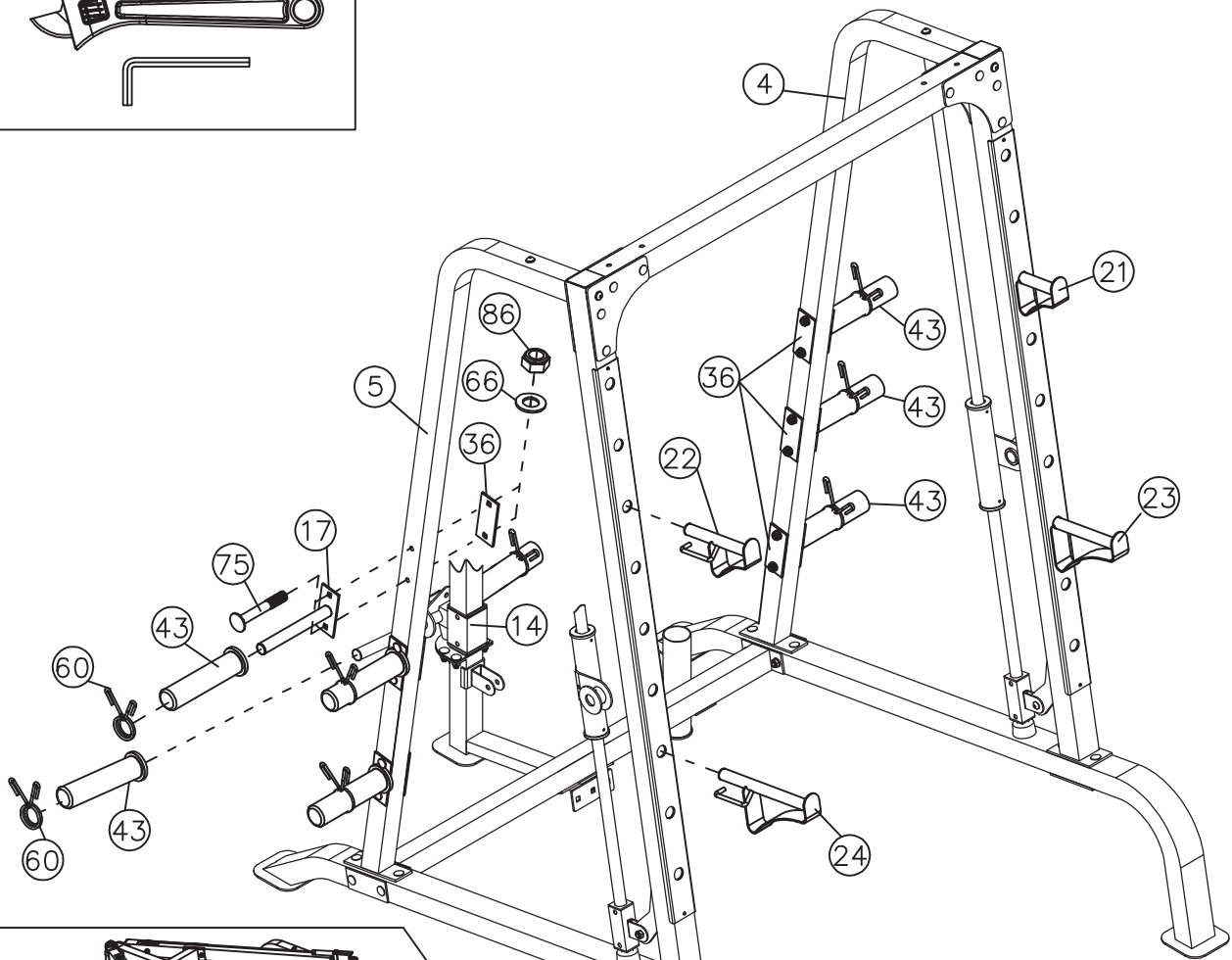
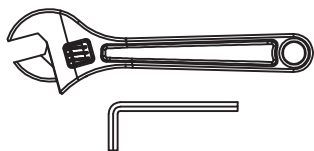


15-A

75  ×12 M10×2 $\frac{3}{4}$ "

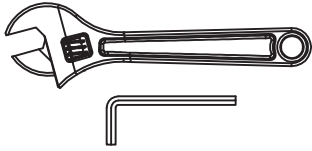
86   ×12 M10

66   ×12  $\Phi\frac{3}{4}$ "

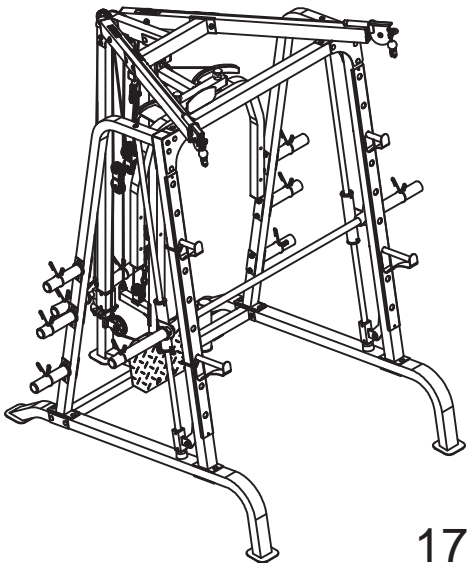
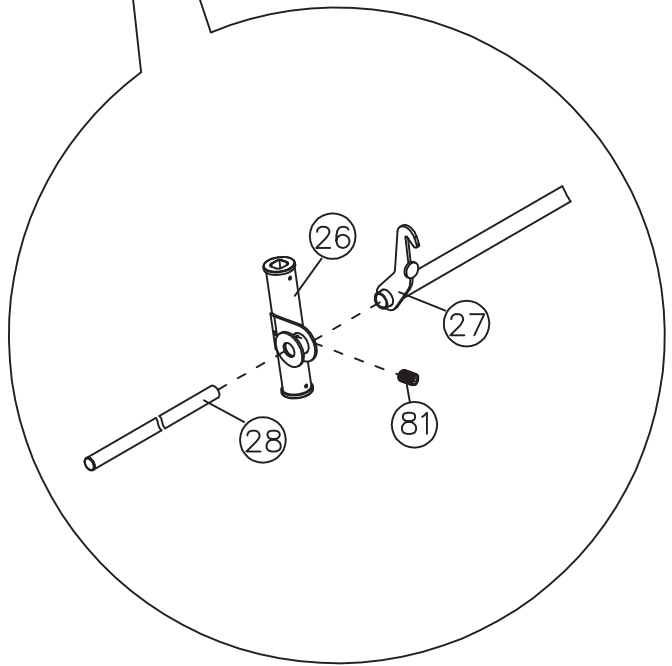
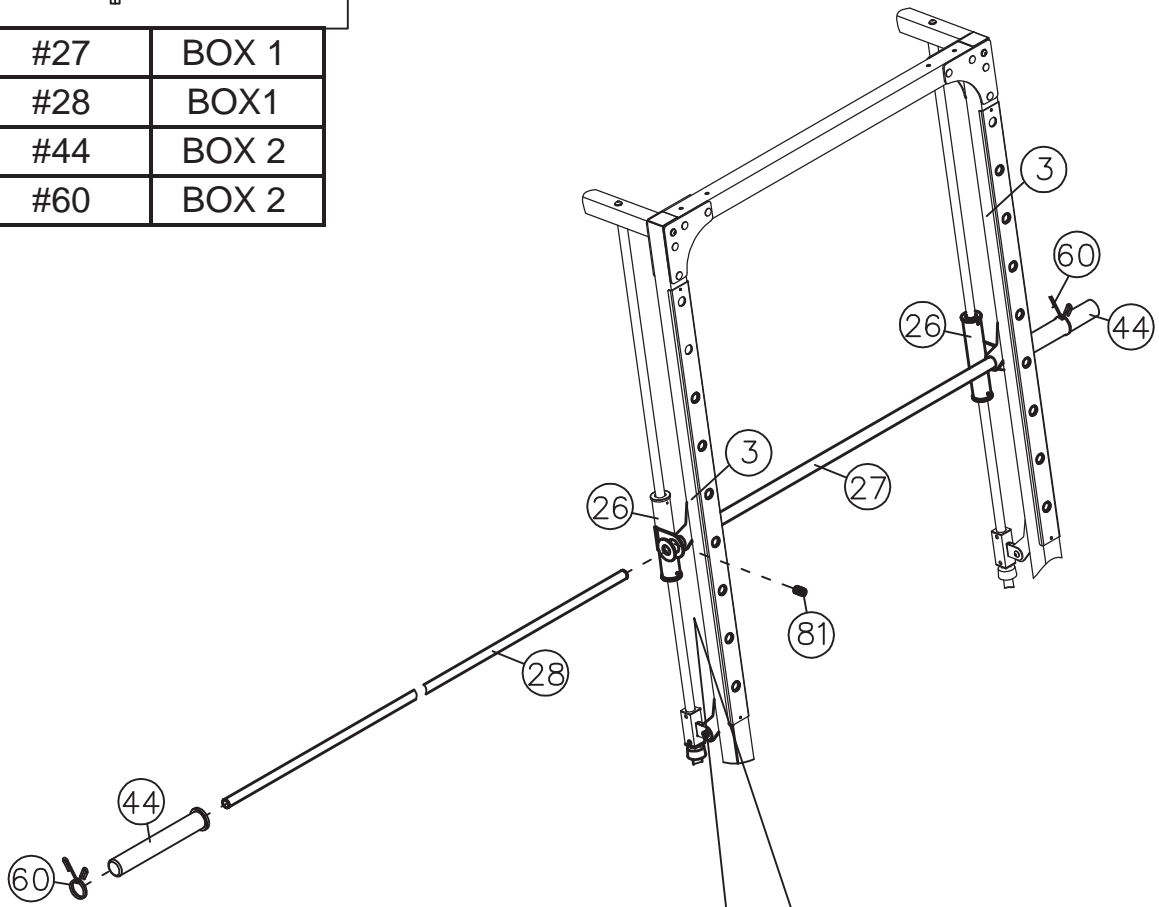


16

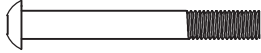
#17	BOX 2
#21	BOX 2
#22	BOX 2
#23	BOX 2
#24	BOX 2
#36	BOX 2
#43	BOX 2
#60	BOX 2



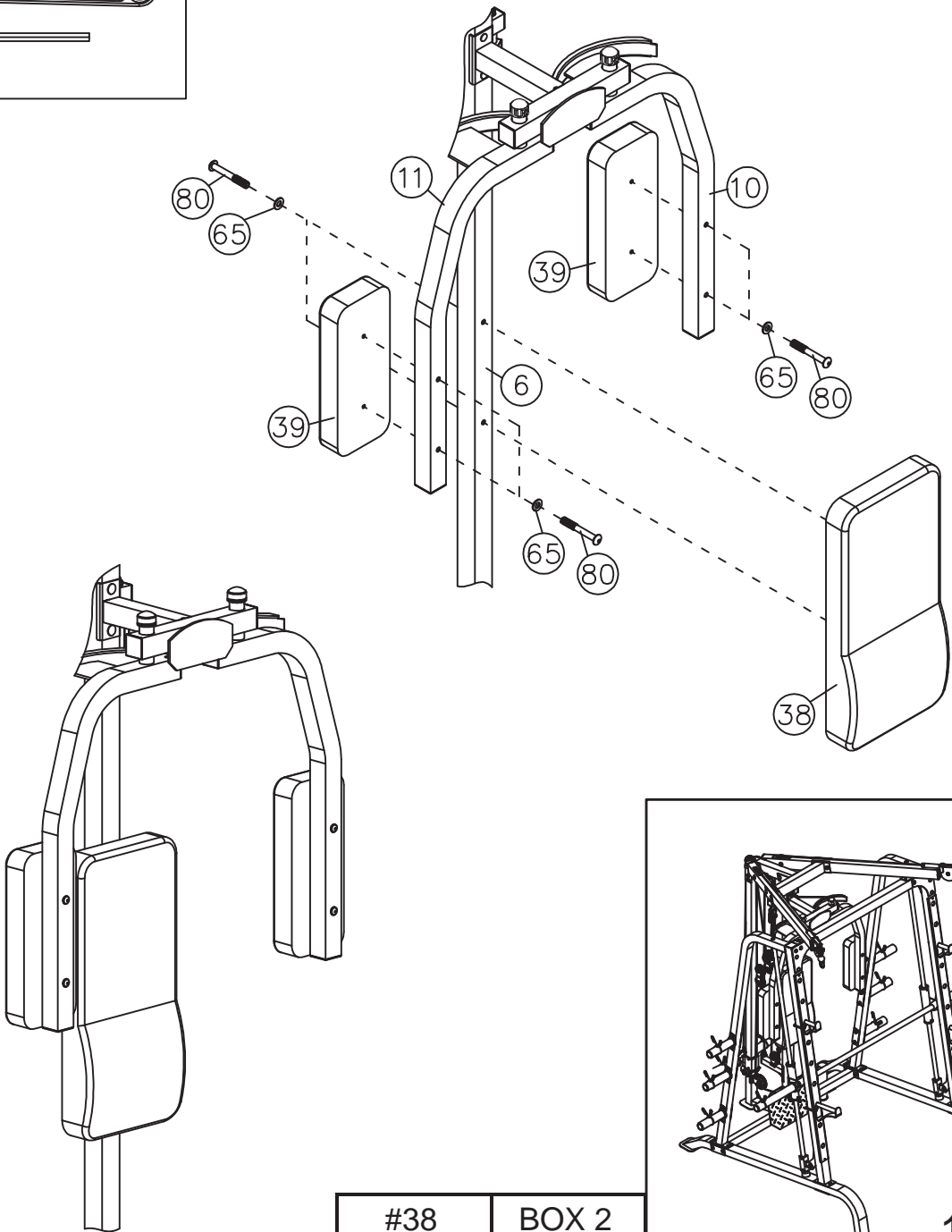
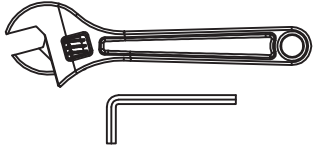
#27	BOX 1
#28	BOX 1
#44	BOX 2
#60	BOX 2



17

(80)  ×6 M8×2 $\frac{1}{2}$ "

(65)  ×6  $\Phi\frac{5}{8}$ "

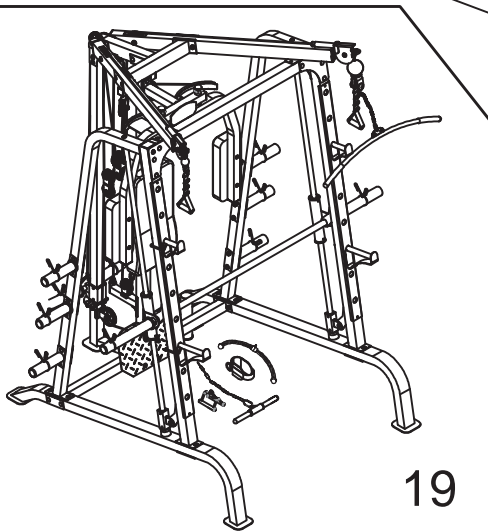
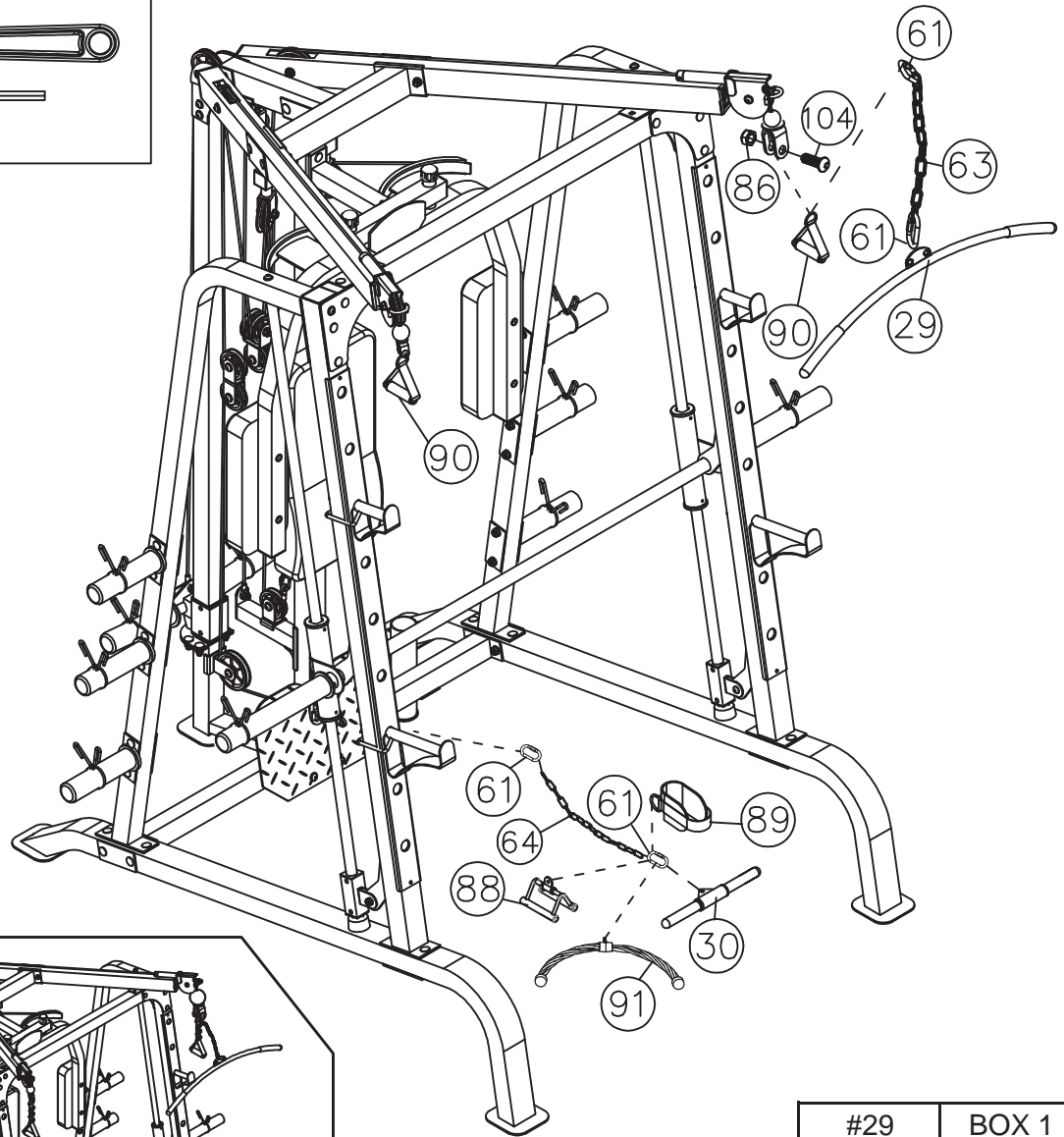
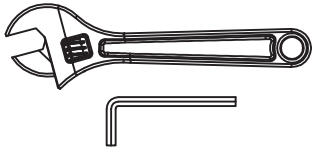


#38	BOX 2
#39	BOX 2

18

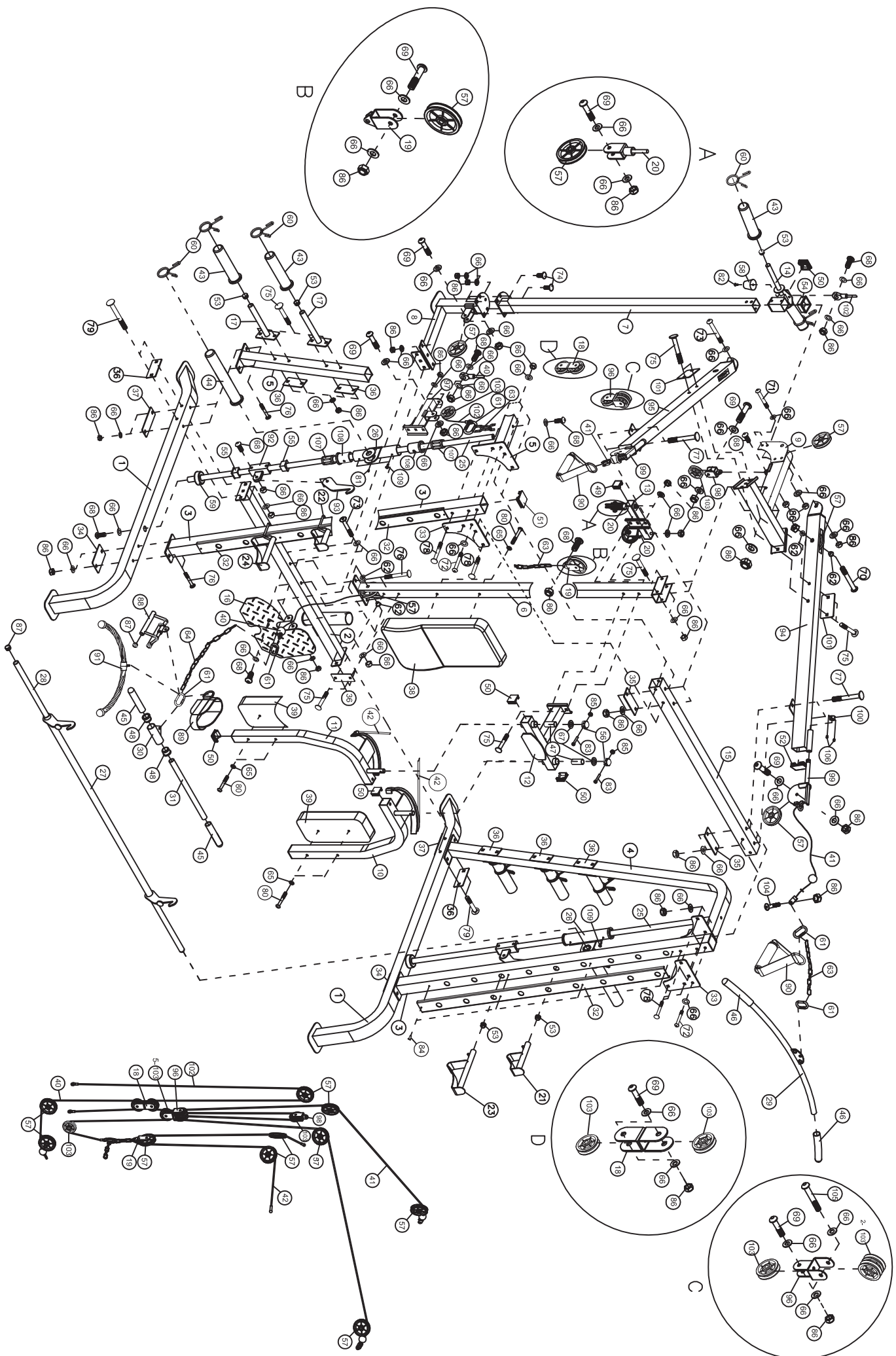
104  ×2 M10×1 $\frac{1}{8}$ "

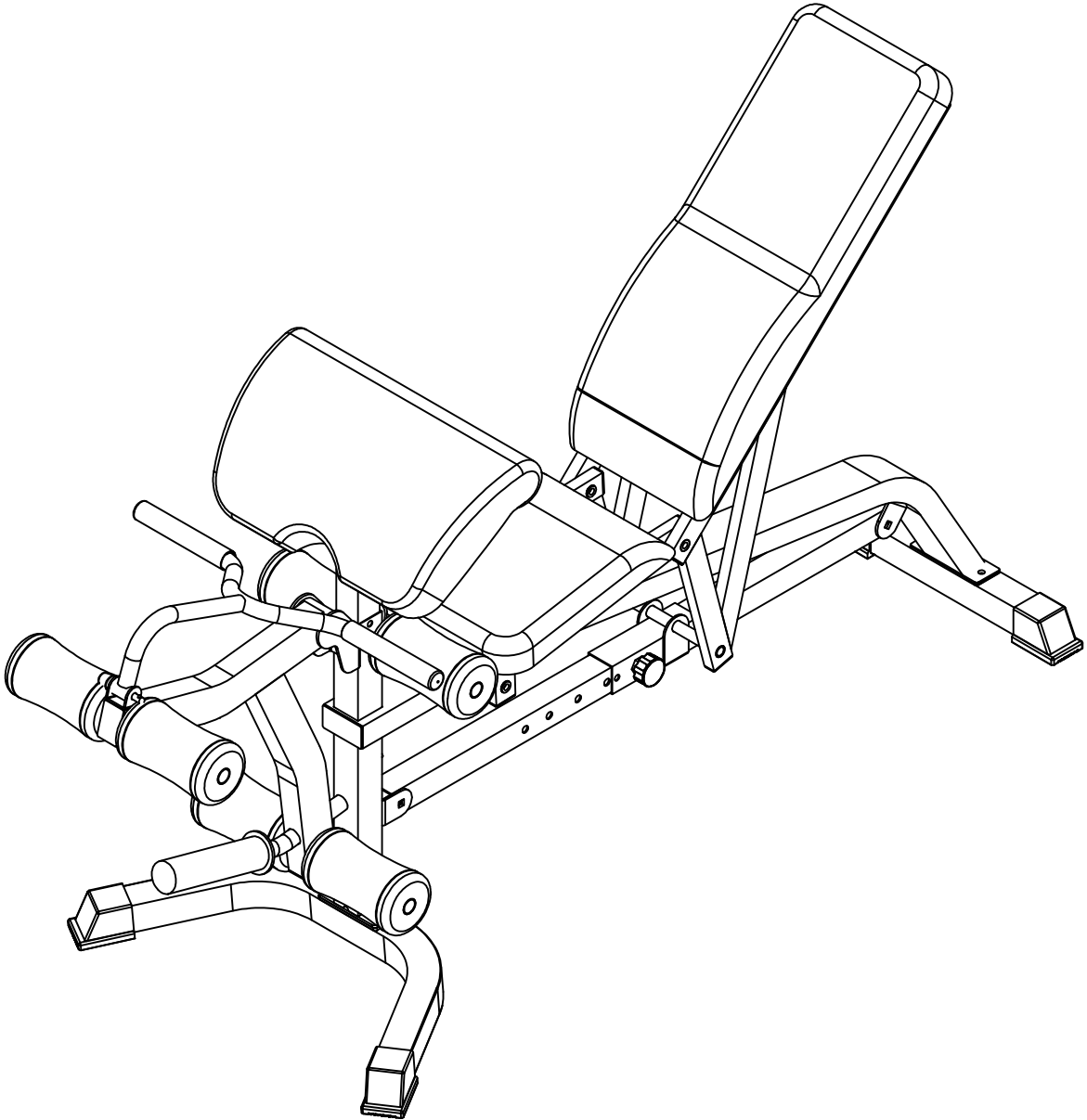
86   ×2 M10

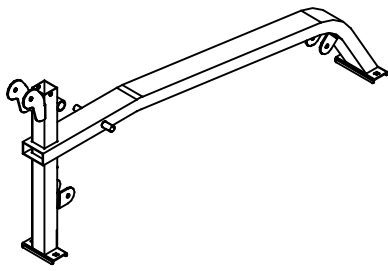


#29	BOX 1
#30	BOX 2
#61	BOX 2
#63	BOX 2
#64	BOX 2
#88	BOX 2
#89	BOX 2
#90	BOX 2
#91	BOX 2

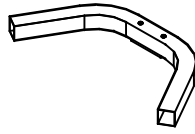




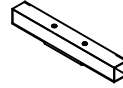




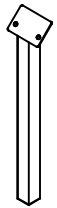
① × 1



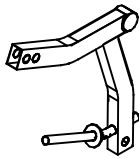
② × 1



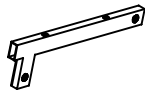
③ × 1



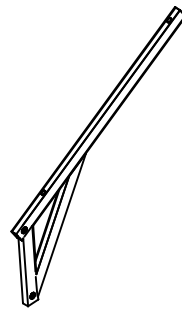
④ × 1



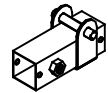
⑤ × 1



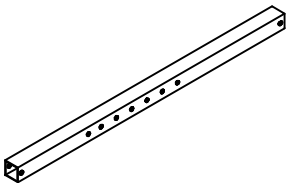
⑥ × 2



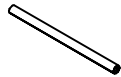
⑦ × 2



⑧ × 1



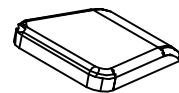
⑨ × 1



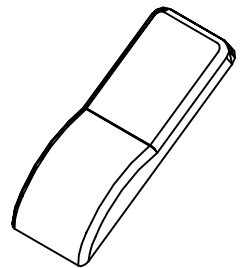
⑩ × 3



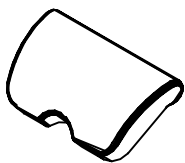
⑪ × 1



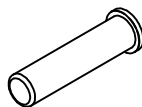
⑬ × 1



⑭ × 1



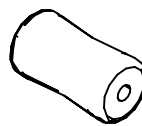
⑮ × 1



⑳ × 1



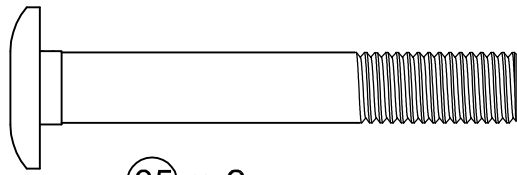
㉓ × 2



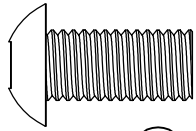
㉔ × 6



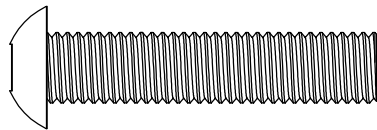
㉕ × 6



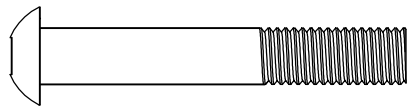
③⑤ × 2



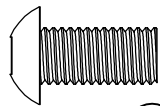
③⑥ × 6



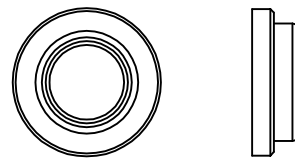
③⑦ × 2



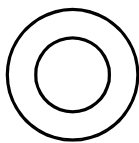
④① × 8



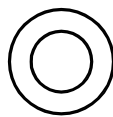
④② × 2



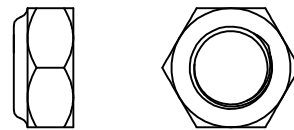
②⑦ × 16



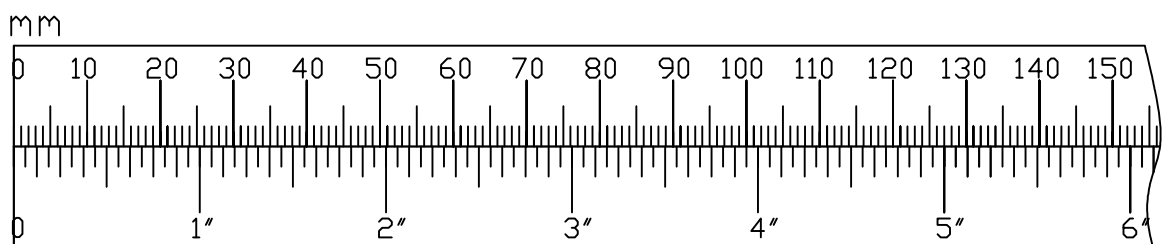
④② × 14

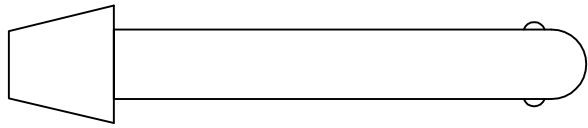


④③ × 10



④④ × 4

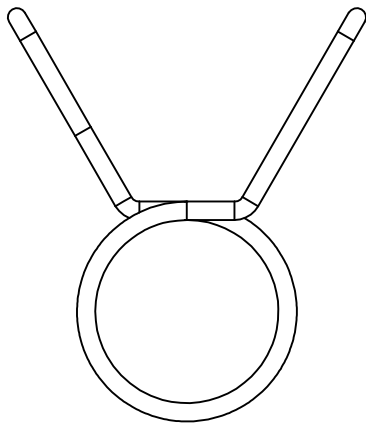




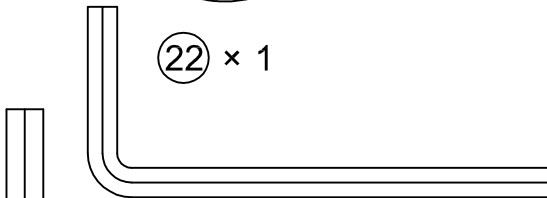
21 x 1



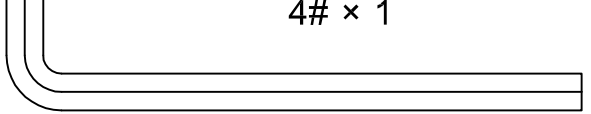
17 x 1



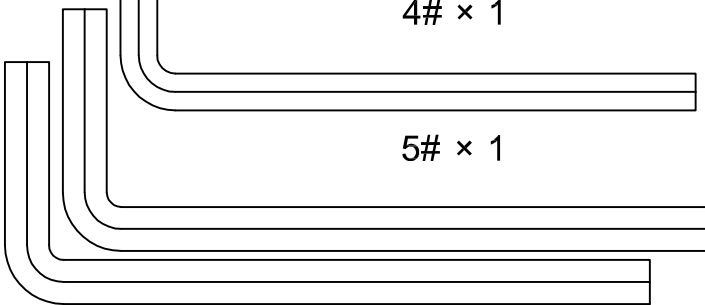
22 x 1



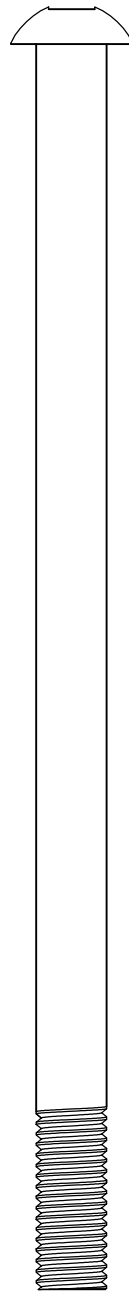
4# x 1



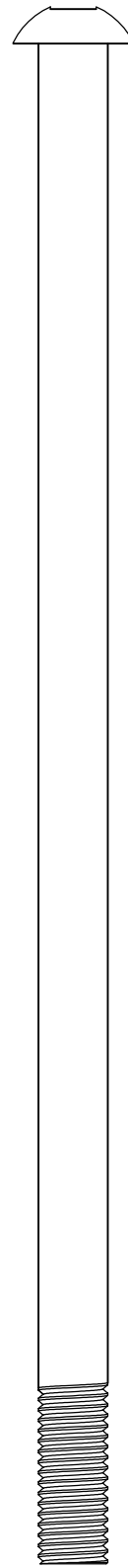
5# x 1



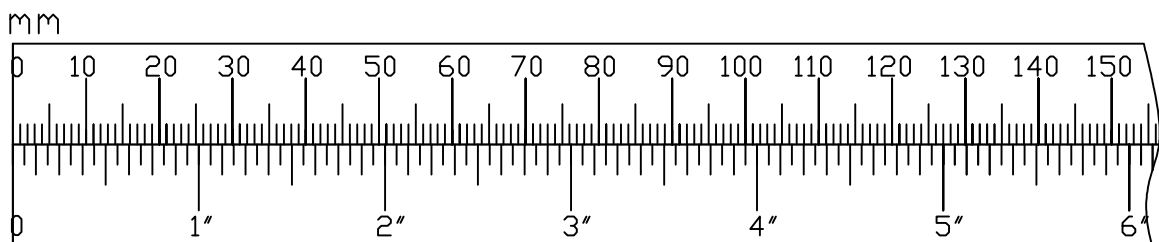
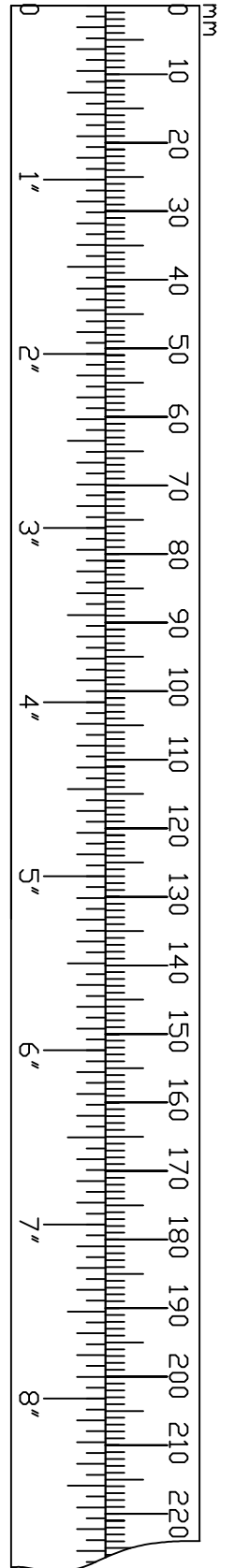
6# x 2



38 x 1

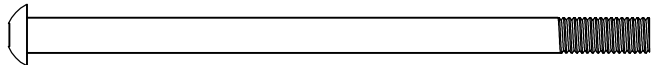


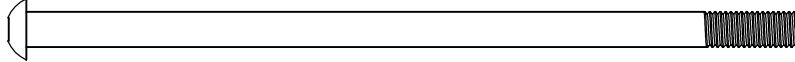
39 x 1





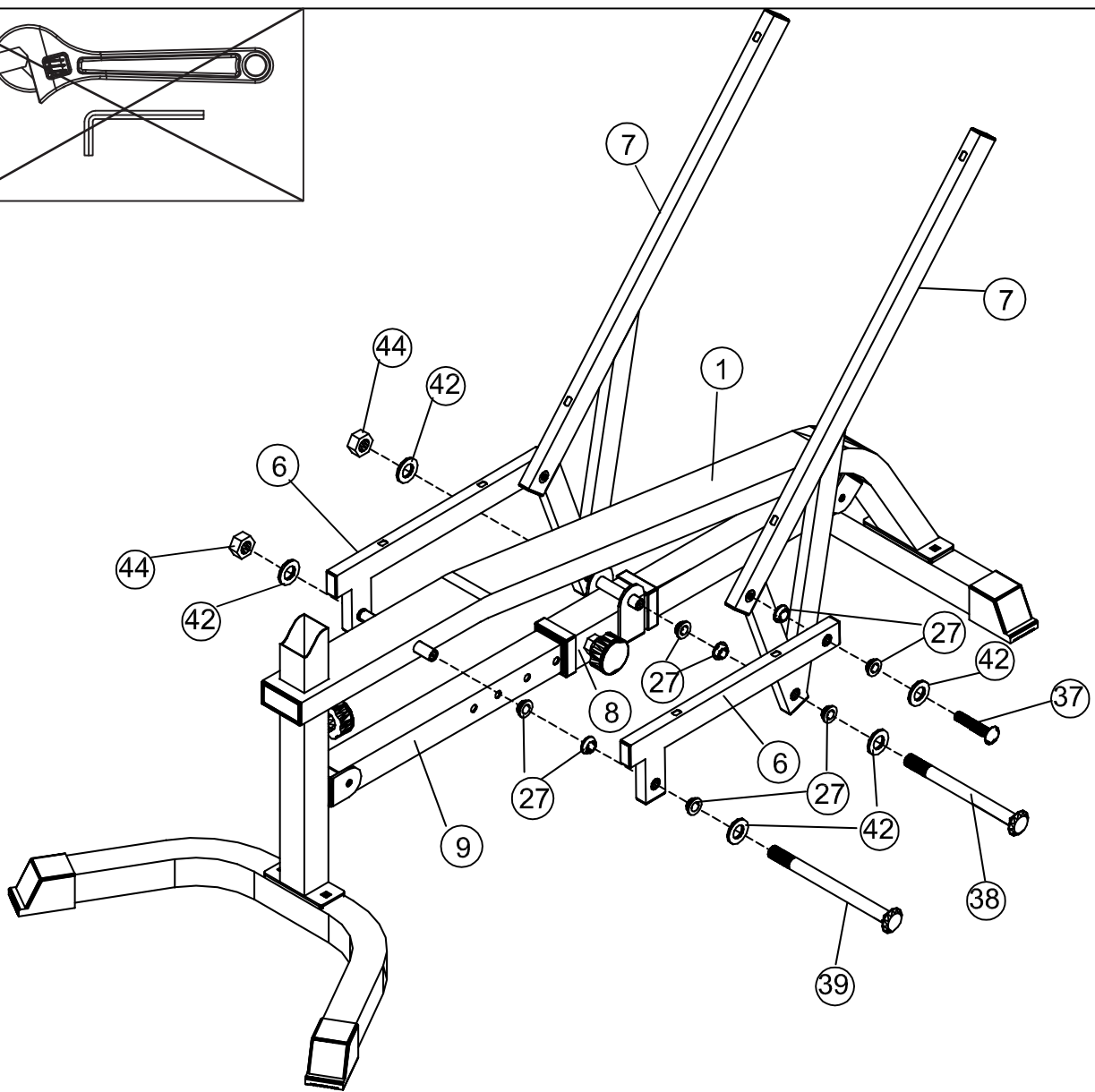
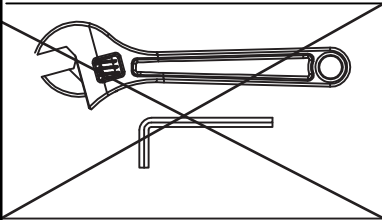
③⑦  ×2 M10×1 $\frac{3}{4}$ "

③⑧  ×1 M10×6 $\frac{3}{4}$ "

③⑨  ×1 M10×8 $\frac{1}{4}$ "

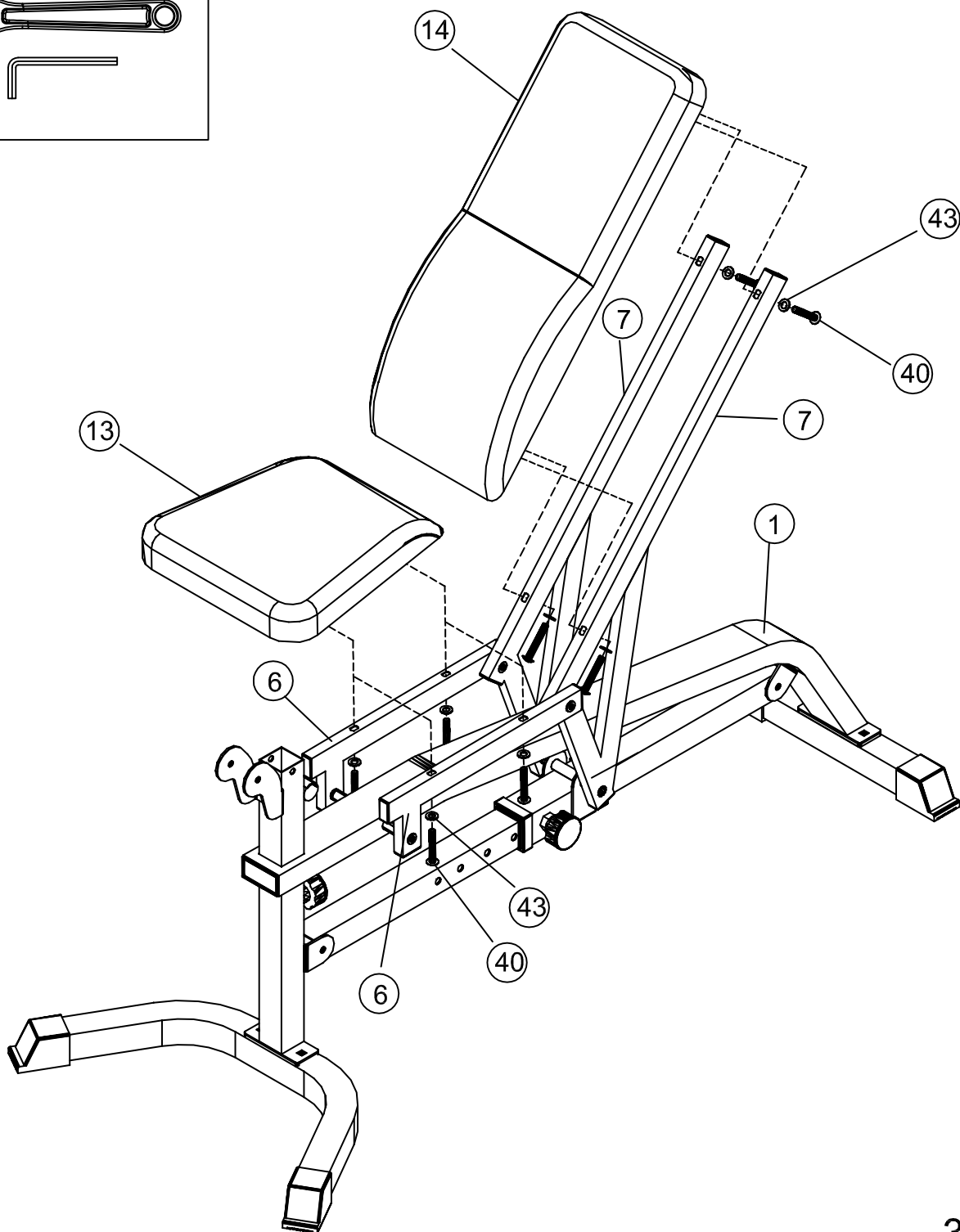
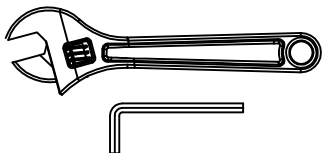
④②   ×6  $\Phi\frac{3}{4}$ "

④④   ×2 M10



④①        ×8 M8×2"

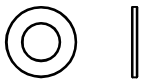
④③        ×8  $\Phi \frac{5}{8}$ "

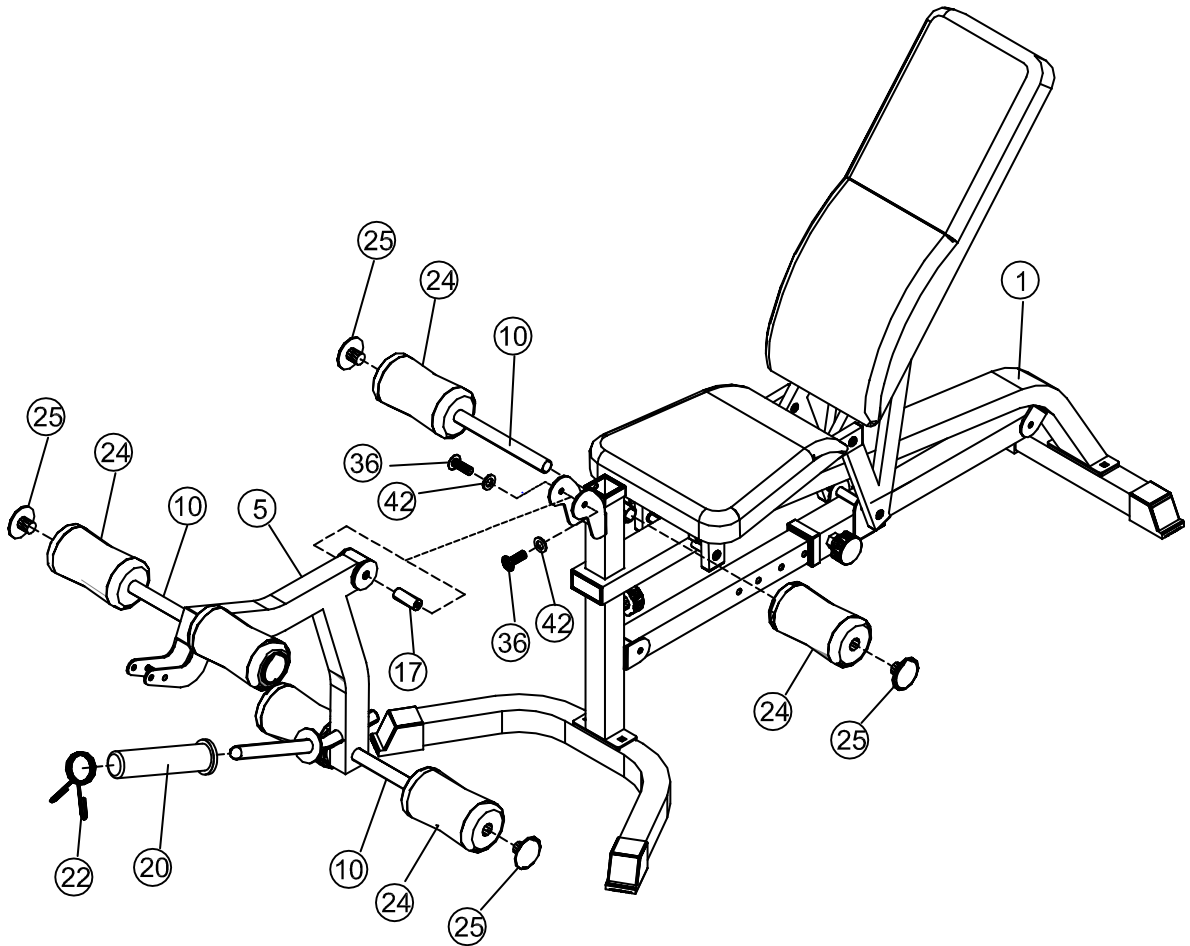
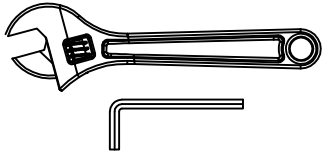


3



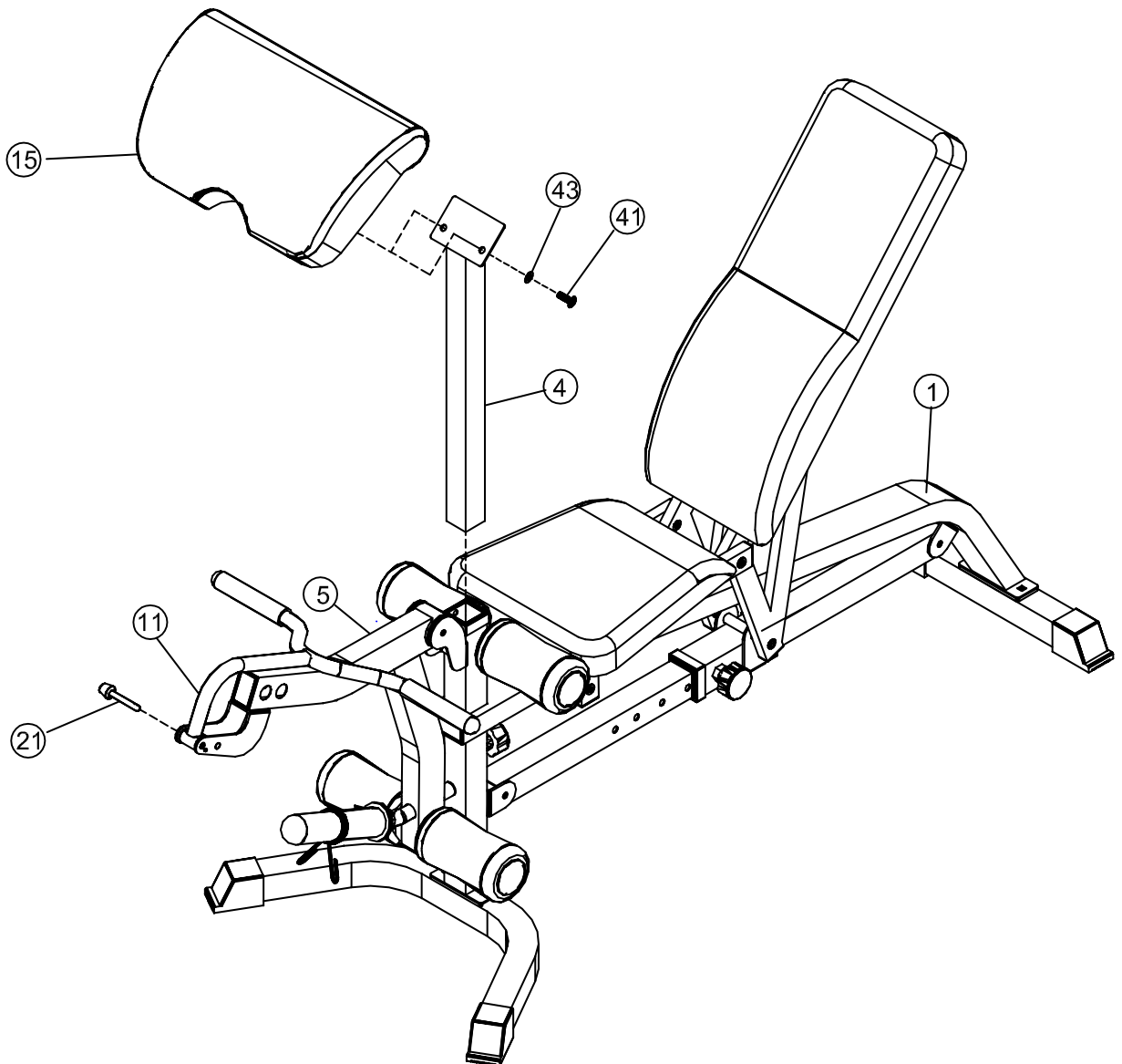
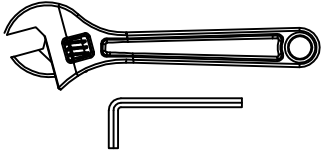
36  ×2 M10× $\frac{3}{4}$ "

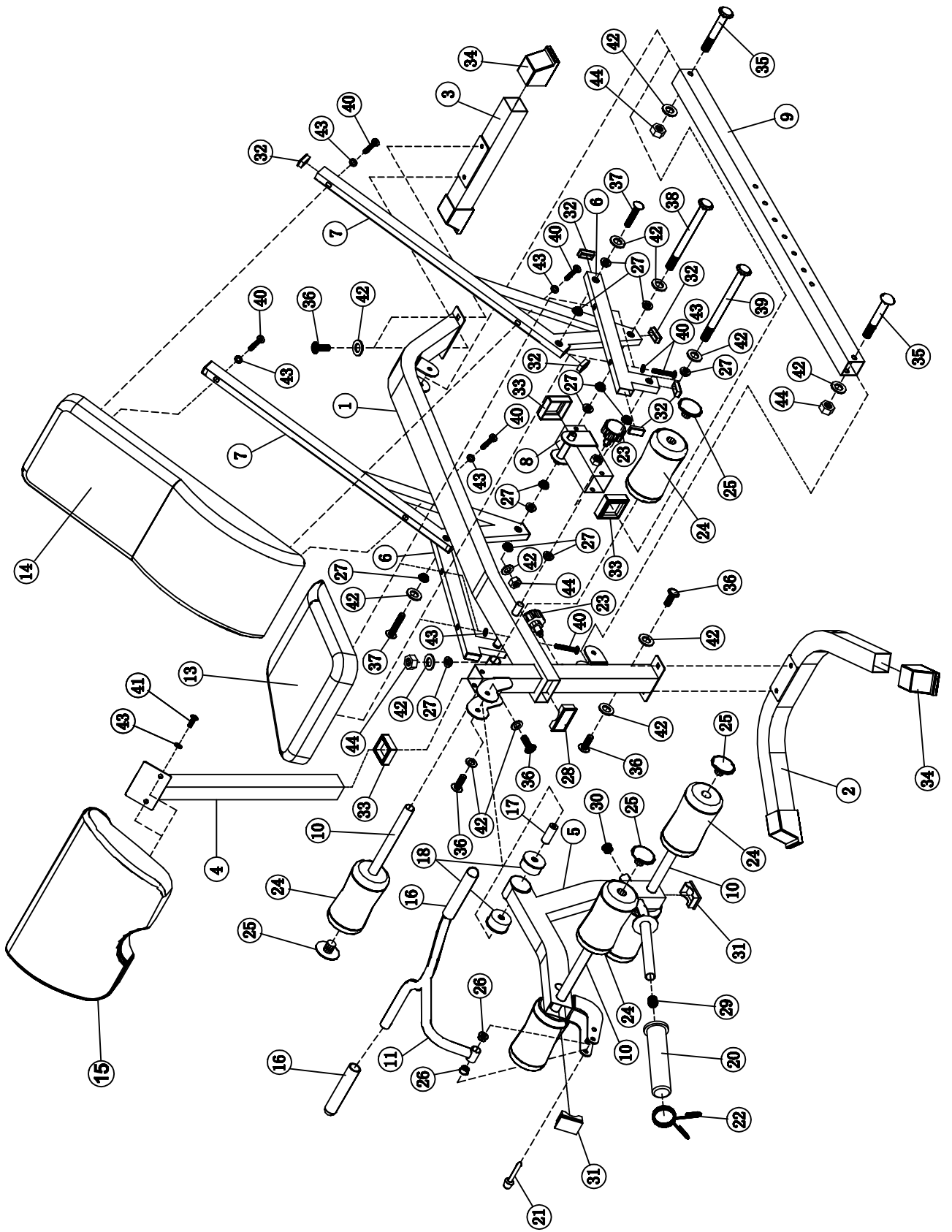
42  ×2  $\Phi\frac{3}{4}$ "



④①  ×2 M8× $\frac{5}{8}$ "

④③  ×2  $\Phi\frac{5}{8}$ "





**IMPEX® INC.**

2801 S. Towne Ave. Pomona, CA 91766

Tel: (800) 999-8899

[www.marcypro.com](http://www.marcypro.com)

[support@impex-fitness.com](mailto:support@impex-fitness.com)